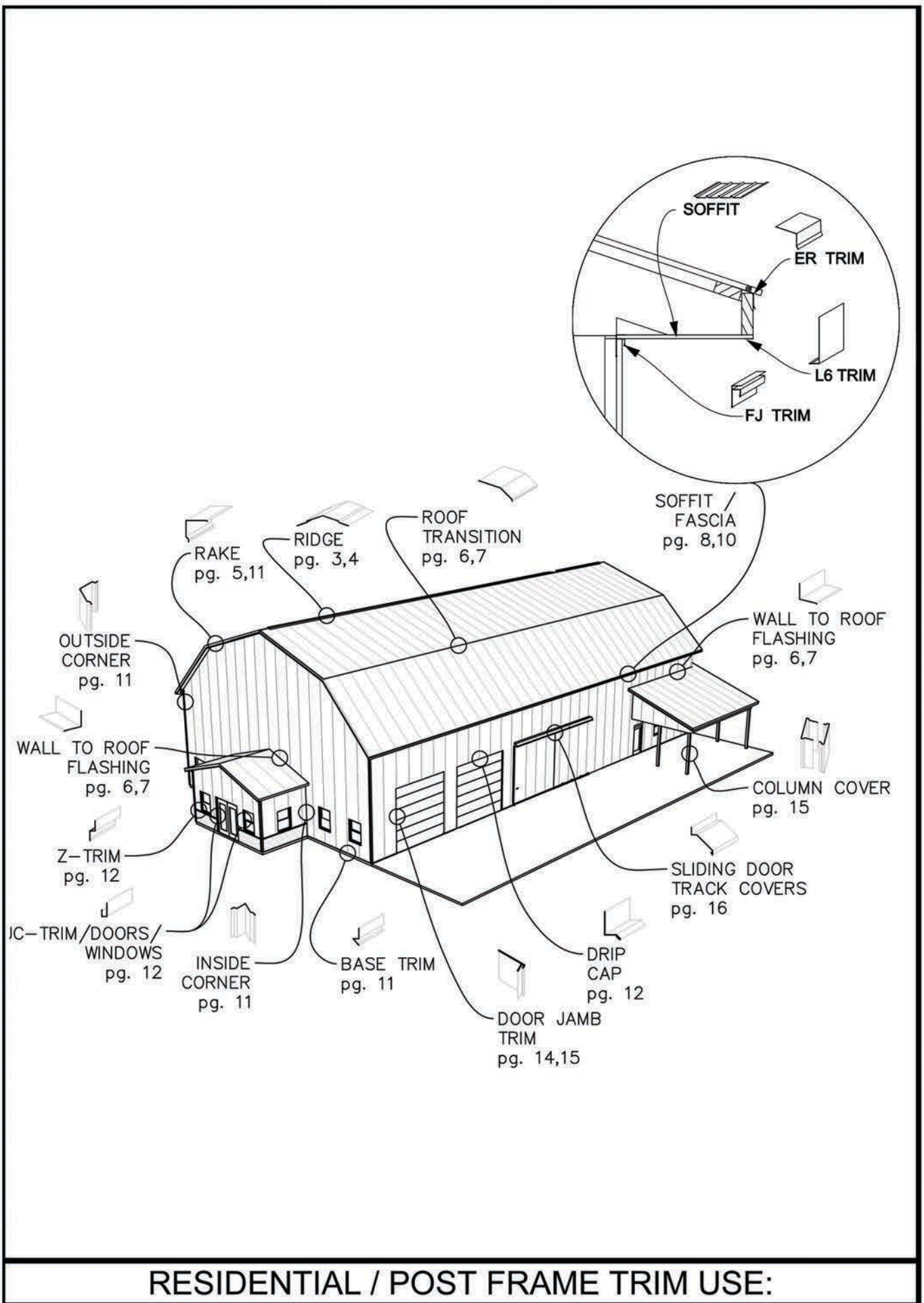




# Metal Roofing & Siding Systems



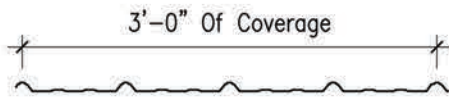
STANDARD DETAILS & PRODUCT SELECTION GUIDE



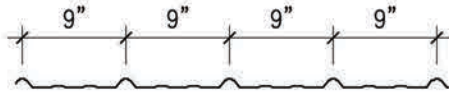
# TABLE OF CONTENTS

❖ <b>PANELS</b> .....	<b>Page 2</b>
<b>❖ ROOF TRIM</b>	
▪ Eave .....	Page 9
▪ Fascia .....	Page 8 - 10
▪ Ridge .....	Page 3 - 4
▪ Rake/Gable .....	Page 5, 11
▪ Snow Bar .....	Page 10
▪ Transition .....	Page 6 - 7
▪ Valley .....	Page 8
<b>❖ WALL TRIM</b>	
▪ Base .....	Page 11
▪ Corners .....	Page 11
▪ F Trim .....	Page 10
▪ Liner Trim .....	Page 10
<b>❖ FINISHING TRIM</b>	
▪ Angle Trim .....	Page 13 - 14
▪ Column Cover .....	Page 15
▪ Drip Cap .....	Page 12
▪ J Channel .....	Page 12
▪ Overhead Door .....	Page 15
▪ Track Covers .....	Page 16
▪ Flat & Coil Stock .....	Page 16
<b>❖ ACCESSORIES</b> .....	
▪ Closures	
▪ Mastic Tape	
▪ Ridge Venting	
▪ Roof Boots	
▪ Polycarbonate Panels	
▪ Screws	
<b>❖ INSTALLATION</b> .....	
	<b>Page 20</b>

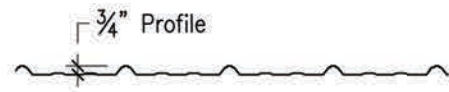
## WEATHEREDGE<sup>3</sup> PANEL



- Coverage
- Galvalume AZ-50
  - 29 Gauge
  - 40 Year Limited Warranty
  - Available In 19 Colors

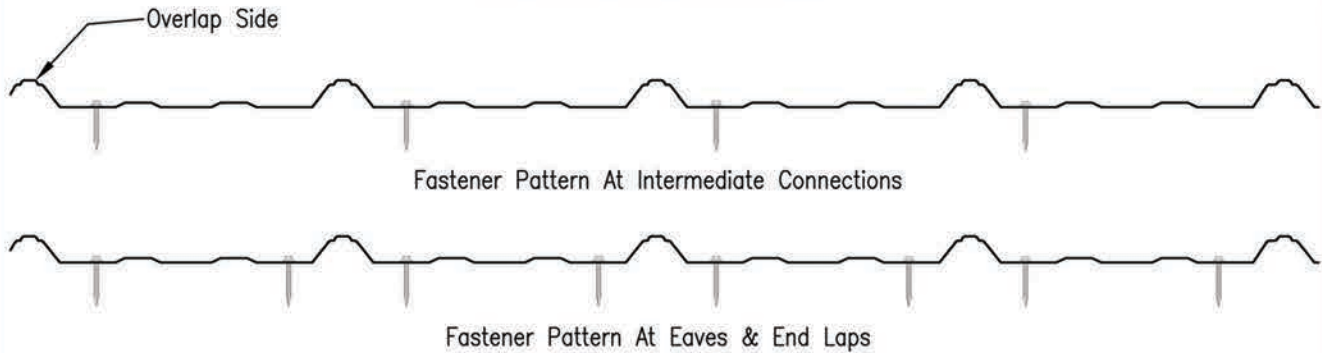


- Rib Spacing
- 9" On Center

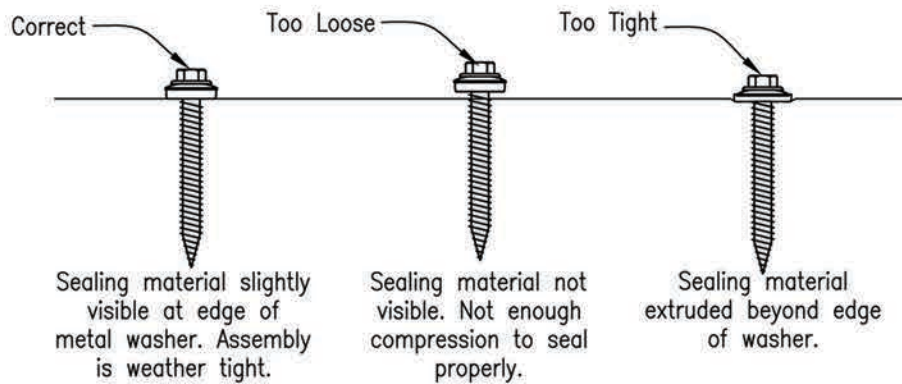


- Rib Profile
- 3/4" Depth

## FASTENER INSTALLATION

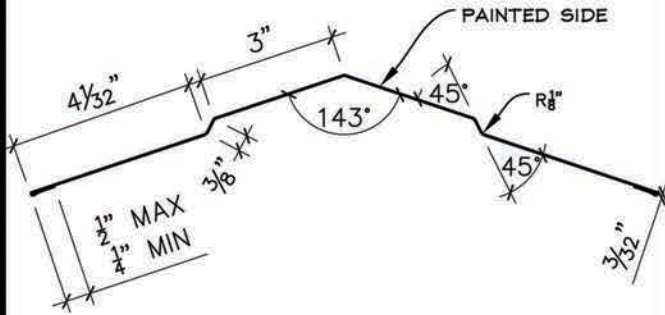


## FASTENER DETAIL





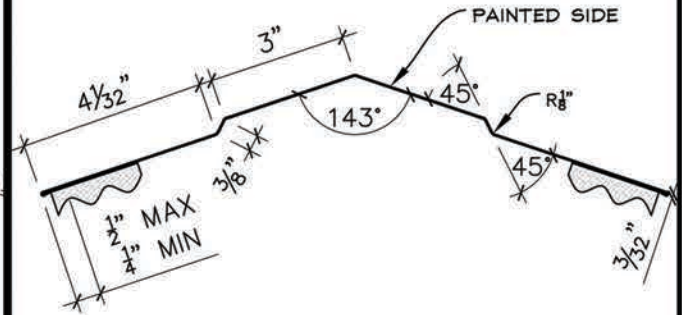
**RC**  
Ridge Cap



STANDARD LENGTH 10'-2"

REFER TO PAGE 22 FOR INSTALLATION

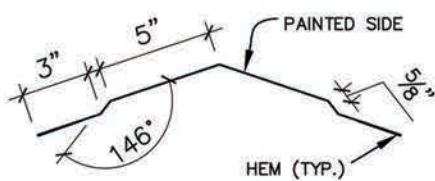
**RCV**  
Ridge Cap w/ VistaVent



STANDARD LENGTH 10'-2"

REFER TO PAGE 22 FOR INSTALLATION

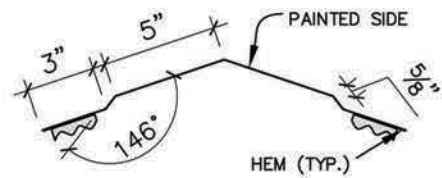
**RC2**  
Wide Ridge Cap



STANDARD LENGTH 10'-2"

REFER TO PAGE 22 FOR INSTALLATION

**RC2 V**  
Wide Ridge Cap w/ VistaVent



STANDARD LENGTH 10'-2"

REFER TO PAGE 22 FOR INSTALLATION

**RCS6**  
Ridge Cap Smooth



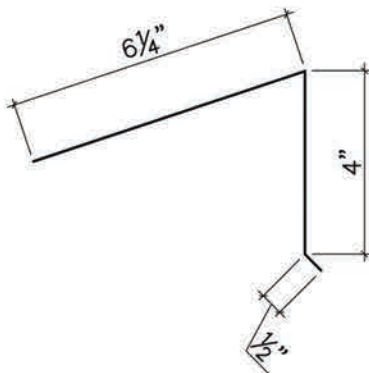
STANDARD LENGTH 10'-2"  
REFER TO PAGE 23 FOR INSTALLATION

**RCS9**  
Ridge Cap Smooth



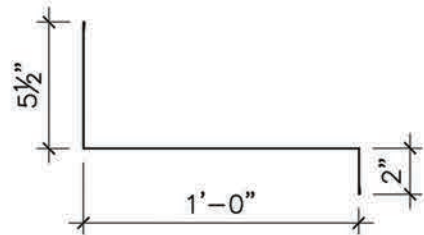
STANDARD LENGTH 10'-2"  
REFER TO PAGE 23 FOR INSTALLATION

**RMS**  
Mono Slope Ridge Cap



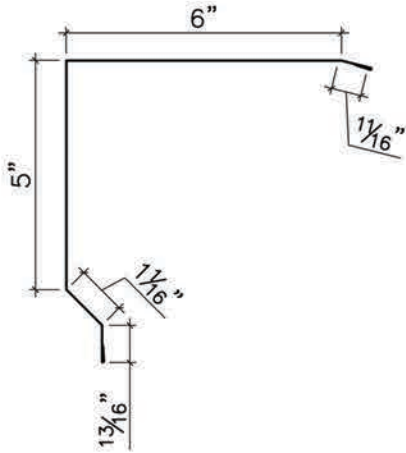
STANDARD LENGTH 10'-2"  
REFER TO PAGE 23 FOR INSTALLATION

**SS**  
12" Solid Soffit Trim



STANDARD LENGTH 10'-2"

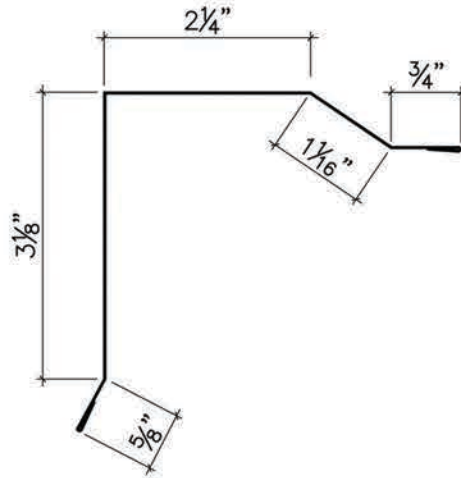
**RG**  
Rake/ Gable Trim



STANDARD LENGTH 10'-2" , 12'-2" , 14'-2" , 16'-2"

REFER TO PAGE 25 FOR INSTALLATION

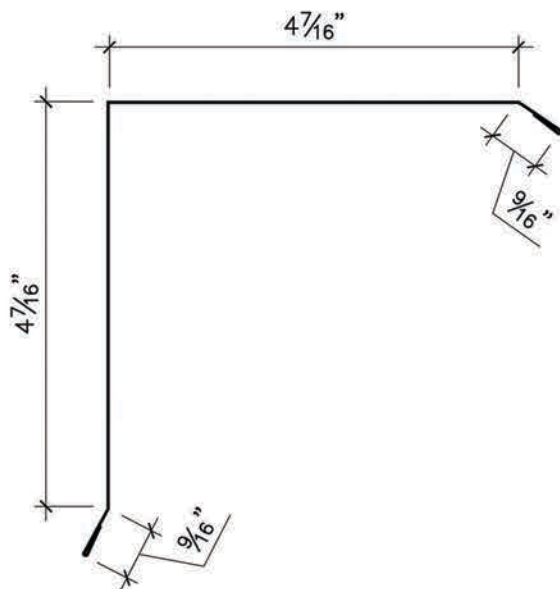
**RG3**  
Residential Rake Gable



STANDARD LENGTH 10'-2" , 12'-2" , 14'-2" , 16'-2"

REFER TO PAGE 26 FOR INSTALLATION

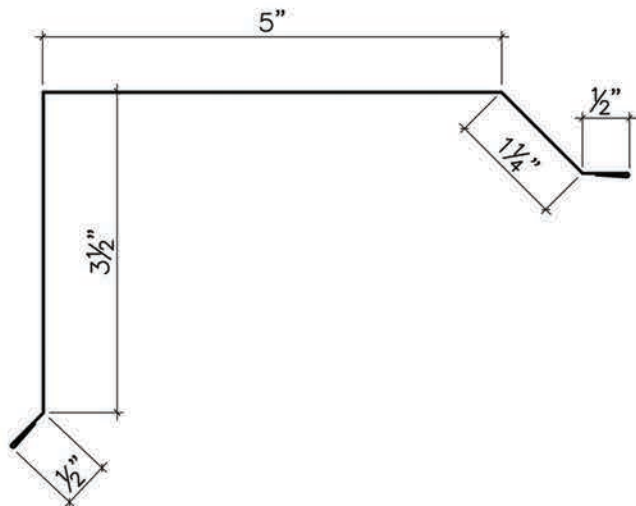
**RG4**  
Agricultural Rake Gable



STANDARD LENGTH 10'-2" , 12'-2" , 14'-2" , 16'-2"

REFER TO PAGE 26 FOR INSTALLATION

**RG5**  
Denver Gable



STANDARD LENGTH 10'-2" , 12'-2" , 14'-2" , 16'-2"

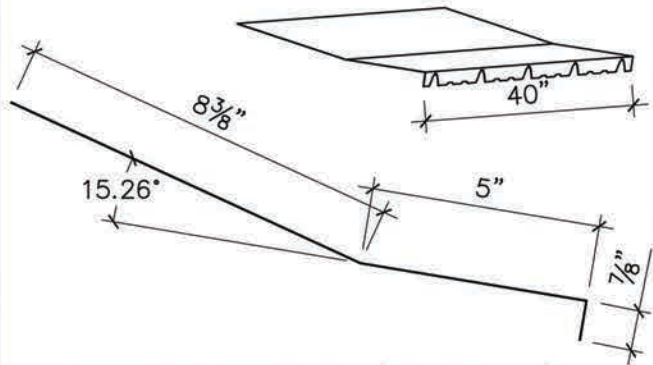
REFER TO PAGE 26 FOR INSTALLATION



## NOTCHED TRIMS

NOTCHED TRIMS HAVE 36" OF COVERAGE (1 TRIM PER PANEL REQUIRED)

### **RT1-N** Roof Transition Trim -Inside

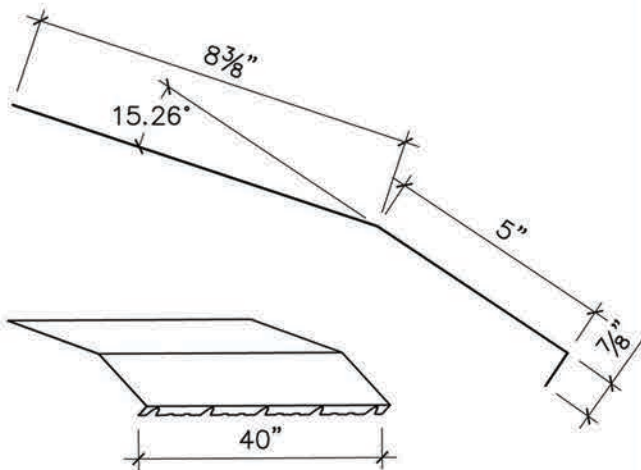


STANDARD PITCH IS 8/12 OVER 4/12  
NOTCHED TRIMS HAVE 36" OF COVERAGE (1 TRIM PER PANEL REQUIRED)

STANDARD LENGTH 40"

REFER TO PAGE 24 FOR INSTALLATION

### **RT2-N** Roof Transition Trim -Outside

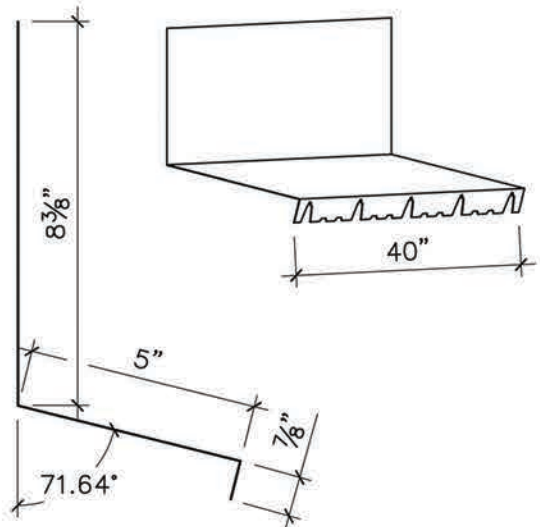


STANDARD PITCH IS 4/12 OVER 8/12  
NOTCHED TRIMS HAVE 36" OF COVERAGE (1 TRIM PER PANEL REQUIRED)

STANDARD LENGTH 40"

REFER TO PAGE 24 FOR INSTALLATION

### **WR-N** Wall To Roof



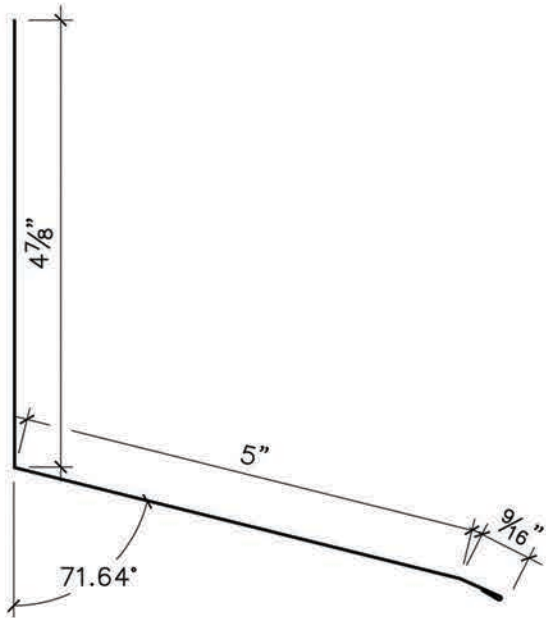
STANDARD PITCH IS 4/12  
NOTCHED TRIMS HAVE 36" OF COVERAGE (1 TRIM PER PANEL REQUIRED)

STANDARD LENGTH 40"

REFER TO PAGE 27 FOR INSTALLATION



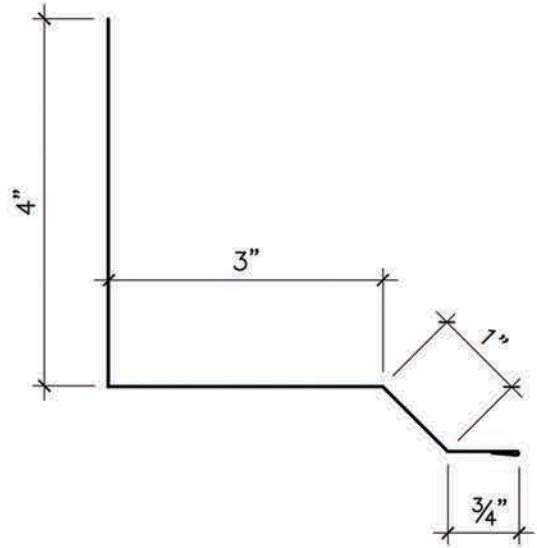
**WR**  
Wall To Roof



STANDARD LENGTH 10'-2"

REFER TO PAGE 27 FOR INSTALLATION

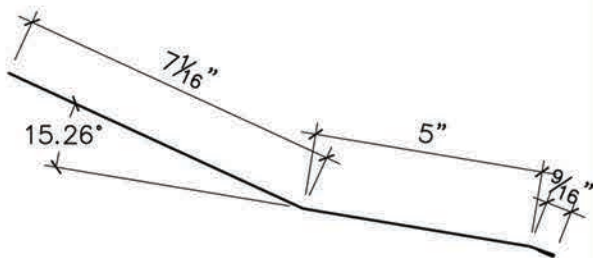
**SW**  
Sidewall Flashing



STANDARD LENGTH 10'-2"

REFER TO PAGE 27 FOR INSTALLATION

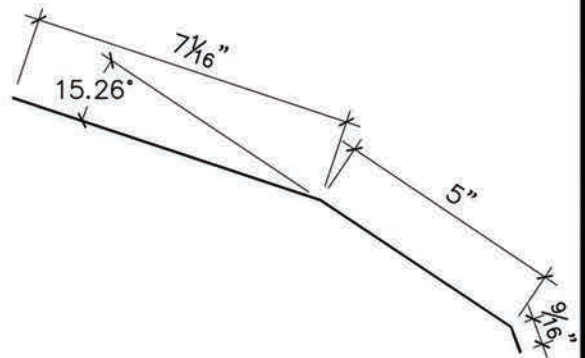
**RT1**  
Roof Transition Trim  
-Inside



STANDARD LENGTH 10'-2"

REFER TO PAGE 24 FOR INSTALLATION

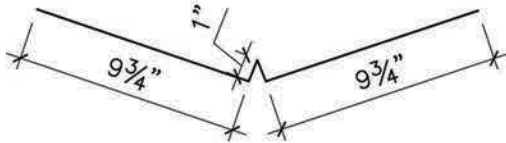
**RT2**  
Roof Transition Trim  
-Outside



STANDARD LENGTH 10'-2"

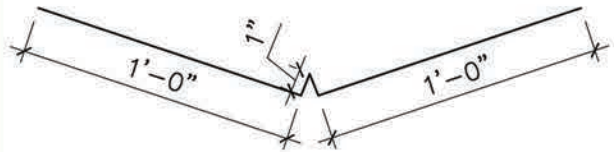
REFER TO PAGE 24 FOR INSTALLATION

**WV9**  
Valley Trim 9"



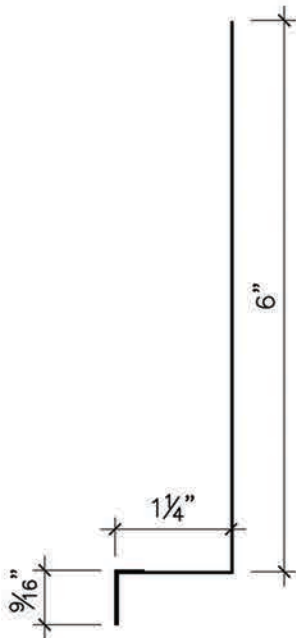
STANDARD LENGTH 10'-2"  
REFER TO PAGE 28 FOR INSTALLATION

**WV12**  
Valley Trim 12"



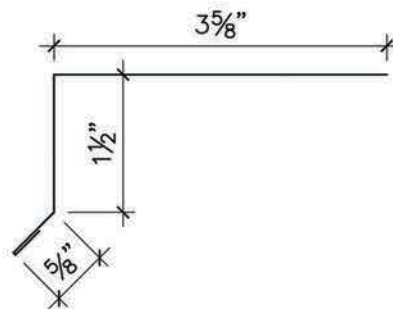
STANDARD LENGTH 10'-2"  
REFER TO PAGE 28 FOR INSTALLATION

**FB**  
Fascia Bottom Trim



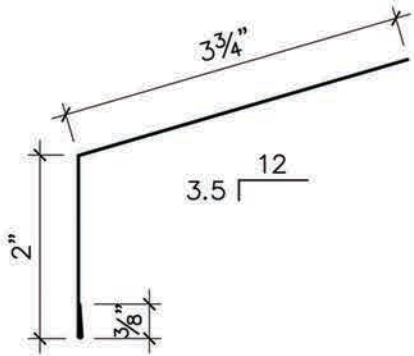
STANDARD LENGTH 10'-2"  
REFER TO PAGE 29 FOR INSTALLATION

**FT**  
Fascia Top Trim



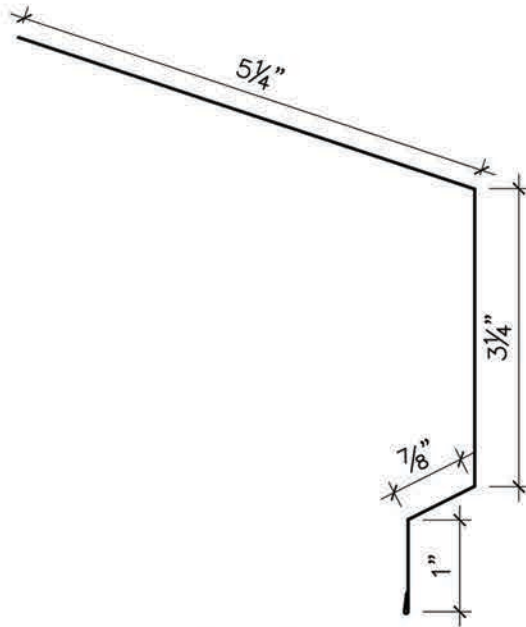
STANDARD LENGTH 10'-2"  
REFER TO PAGE 29 FOR INSTALLATION

**GA**  
Gutter Apron



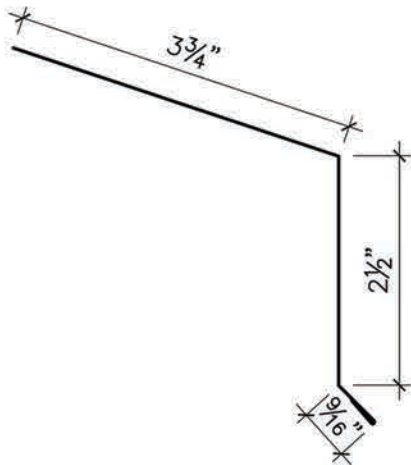
STANDARD LENGTH 10'-2"  
REFER TO PAGE 30 FOR INSTALLATION

**EPF**  
Eave Trim For Post Frame



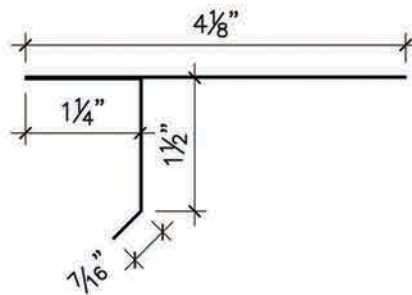
STANDARD LENGTH 10'-2"  
REFER TO PAGE 31 FOR INSTALLATION

**ER**  
Eave Trim For Residential



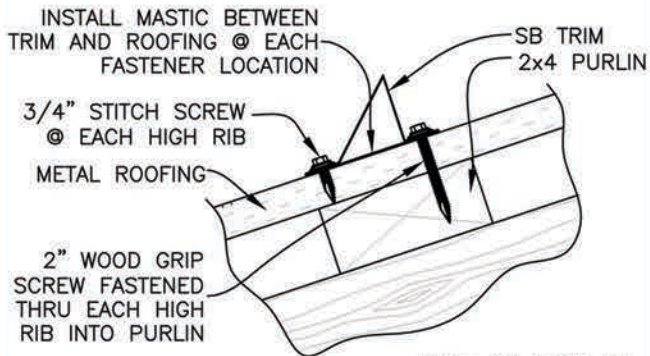
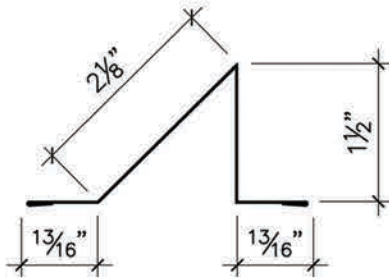
STANDARD LENGTH 10'-2"  
REFER TO PAGE 30 FOR INSTALLATION

**DS**  
Shingle Drip Edge



STANDARD LENGTH 10'-2"  
REFER TO PAGE 30 FOR INSTALLATION

**SB**  
Snow Bar Trim

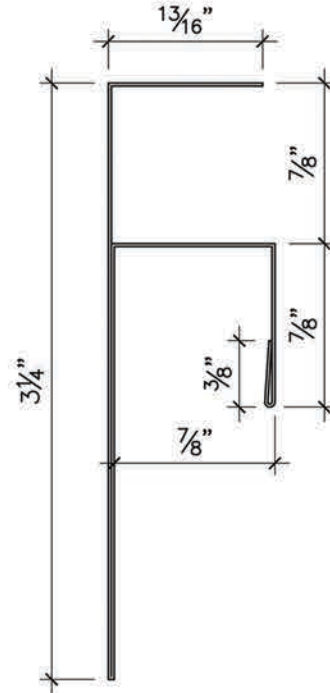


NOTE: (1) ROW OF SB TRIM REQUIRED FOR EVERY 25' OF ROOF RUN.

STANDARD LENGTH 10'-2"

REFER TO PAGE 28 FOR INSTALLATION

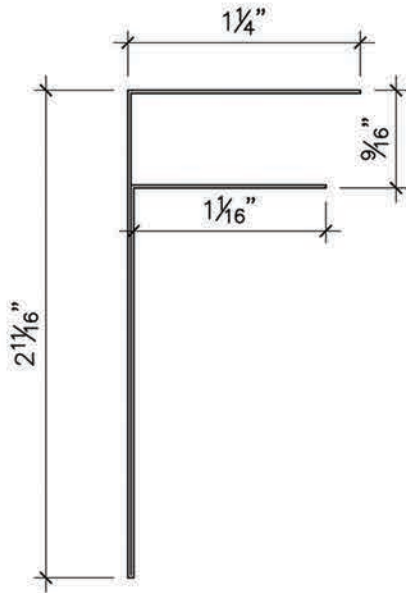
**LT**  
Liner Trim



STANDARD LENGTH 10'-2"

REFER TO PAGE 33 FOR INSTALLATION

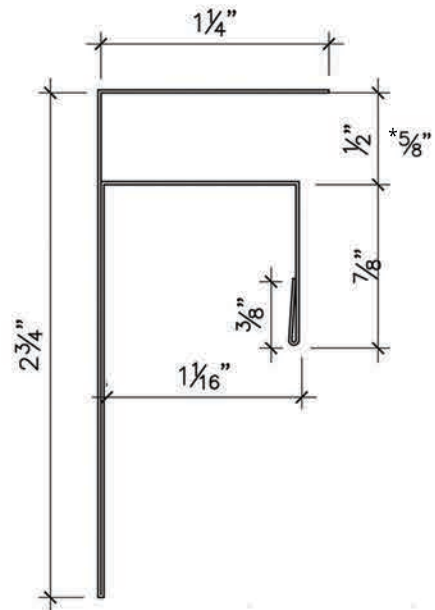
**F**  
F Channel 1/2" Soffit



STANDARD LENGTH 10'-2"

REFER TO PAGE 30 FOR INSTALLATION

**FJ**  
F&J Trim / 1/2 Alum Soffit  
**\*FJ58**  
F&J Trim / 5/8 Vinyl Soffit



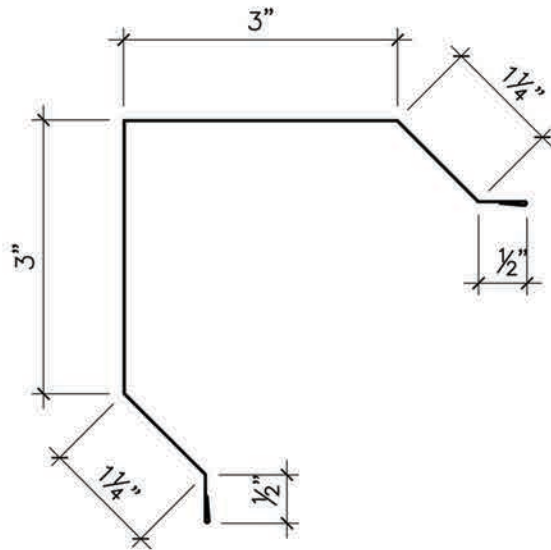
STANDARD LENGTH 10'-2"

REFER TO PAGE 29 FOR INSTALLATION



**C3**

**Mini Corner & Rake Trim**

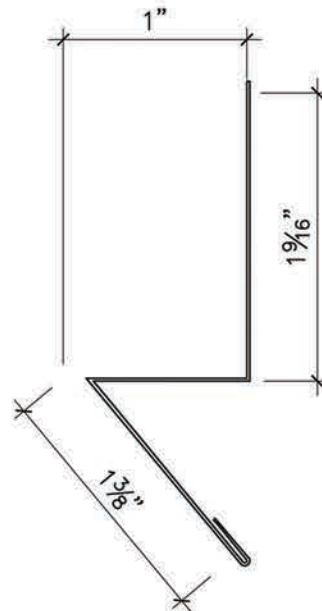


STANDARD LENGTH 10'-2" , 12'-2" , 14'-2" , 16'-2"

REFER TO PAGE 25&32 FOR INSTALLATION

**BG**

**Base Trim**

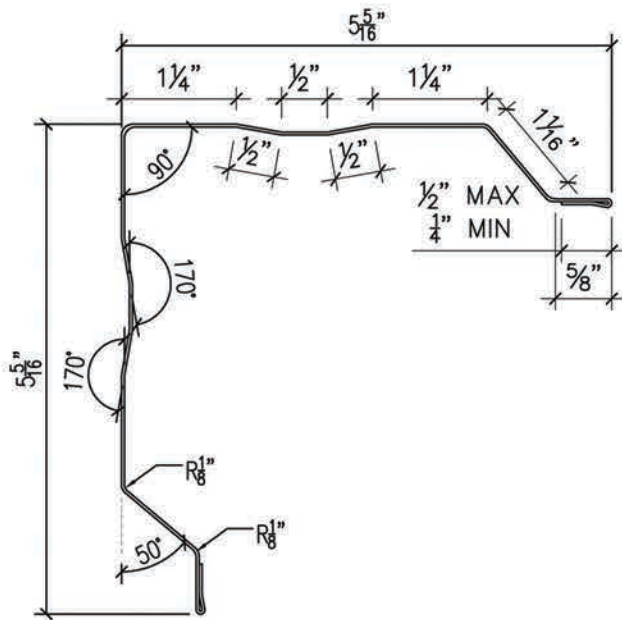


STANDARD LENGTH 10'-2"

REFER TO PAGE 31 FOR INSTALLATION

**C**

**Corner & Rake Trim**

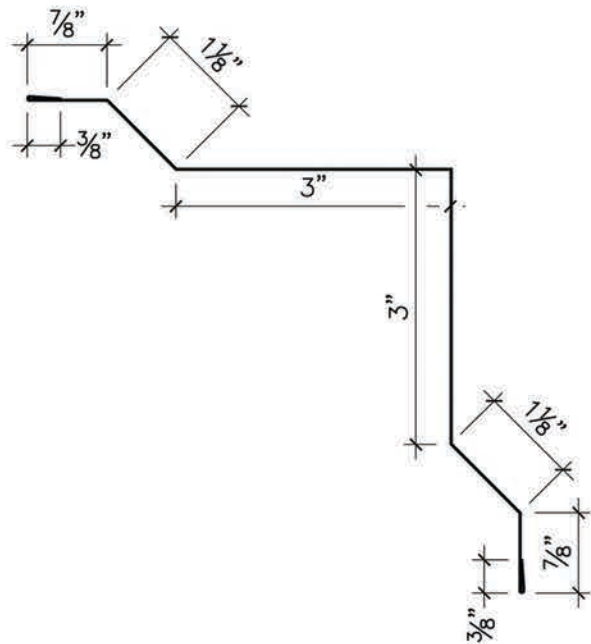


STANDARD LENGTH 10'-2" , 12'-2" , 14'-2" , 16'-2"

REFER TO PAGE 25&32 FOR INSTALLATION

**IC**

**Inside Corner Trim**

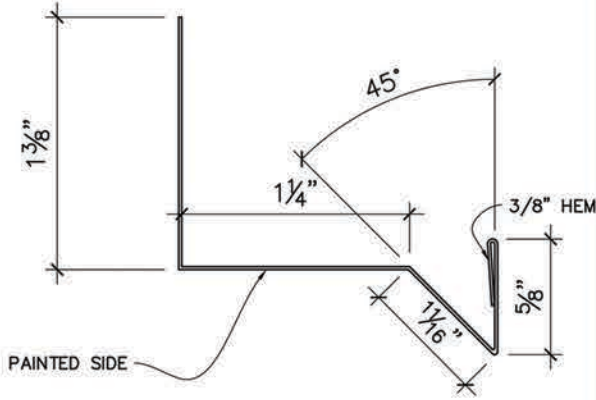


STANDARD LENGTH 10'-2"

REFER TO PAGE 32 FOR INSTALLATION

**DC2**

Window/Pass Door Drip Cap

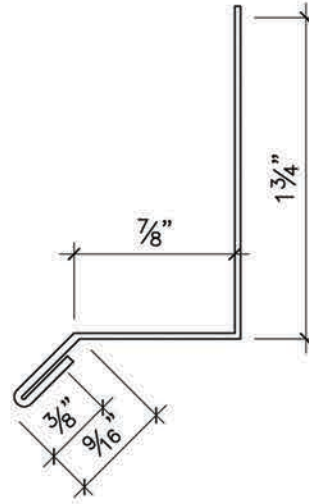


STANDARD LENGTH 10'-2"

REFER TO PAGE 33 FOR INSTALLATION

**DC**

Drip Cap

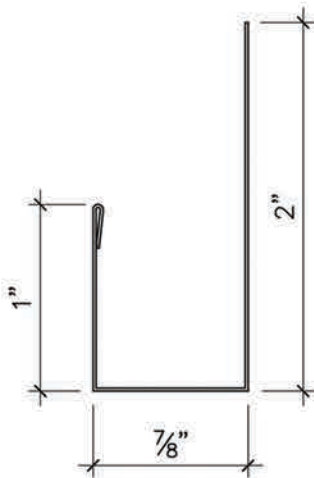


STANDARD LENGTH 10'-2"

REFER TO PAGE 33 FOR INSTALLATION

**J**

J Channel

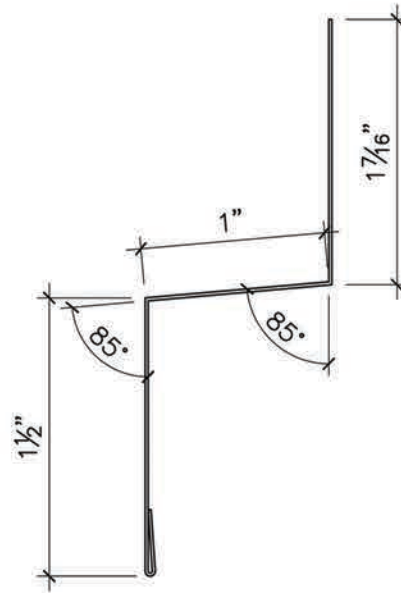


STANDARD LENGTH 10'-2"

REFER TO PAGE 34 FOR INSTALLATION

**Z**

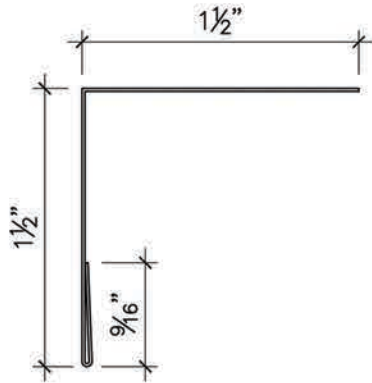
Sloped Zee Trim



STANDARD LENGTH 10'-2"

REFER TO PAGE 35 FOR INSTALLATION

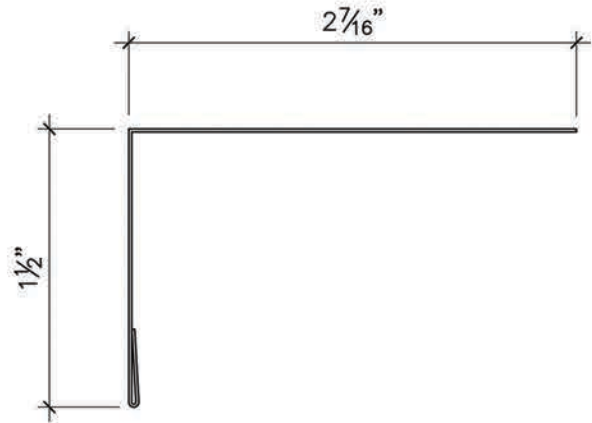
**L2**  
Angle Trim



STANDARD LENGTH 10'-2"

REFER TO PAGE 34 FOR INSTALLATION

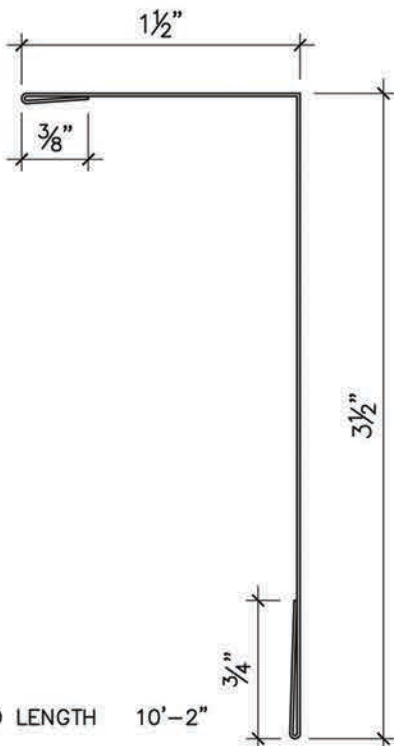
**L3**  
Angle Trim



STANDARD LENGTH 10'-2"

REFER TO PAGE 34 FOR INSTALLATION

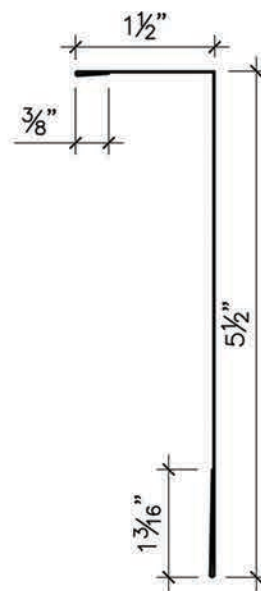
**L4**  
Angle Trim



STANDARD LENGTH 10'-2"

REFER TO PAGE 34 FOR INSTALLATION

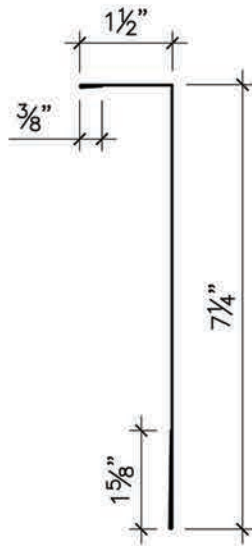
**L6**  
Angle Trim



STANDARD LENGTH 10'-2"

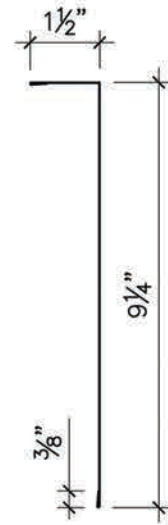
REFER TO PAGE 34 FOR INSTALLATION

**L8**  
Angle Trim



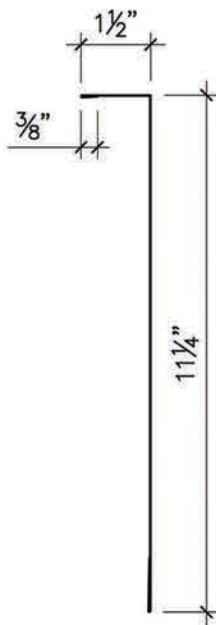
STANDARD LENGTH 10'-2"  
REFER TO PAGE 34 FOR INSTALLATION

**L10**  
Angle Trim



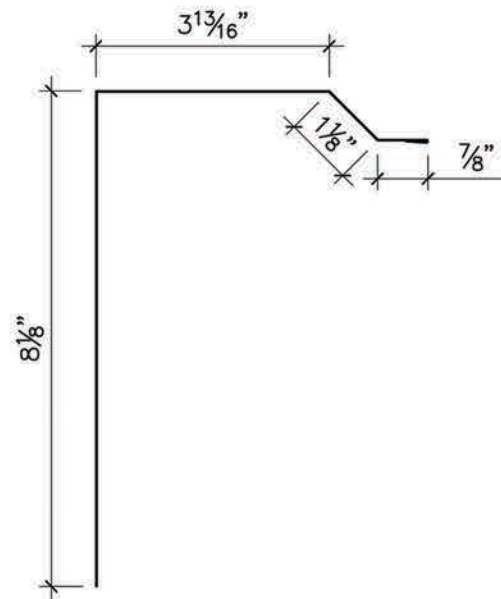
STANDARD LENGTH 10'-2"  
REFER TO PAGE 34 FOR INSTALLATION

**L12**  
Angle Trim



STANDARD LENGTH 10'-2"  
REFER TO PAGE 34 FOR INSTALLATION

**JT7**  
Jamb Trim For 2x8

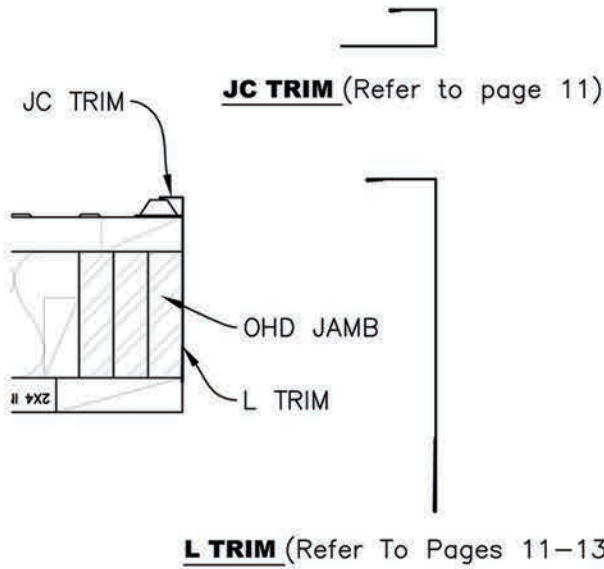


STANDARD LENGTH 10'-2"  
REFER TO PAGE 35 FOR INSTALLATION



**OHD 2-PIECE**

2 Piece Overhead Door  
Jamb Trim

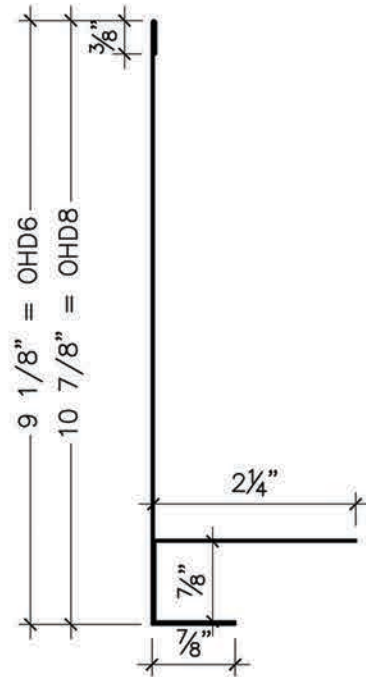


STANDARD LENGTH 10'-2"

REFER TO PAGE 34 FOR INSTALLATION

**OHD6 / OHD8**

1 Piece Overhead Door  
Jamb Trim

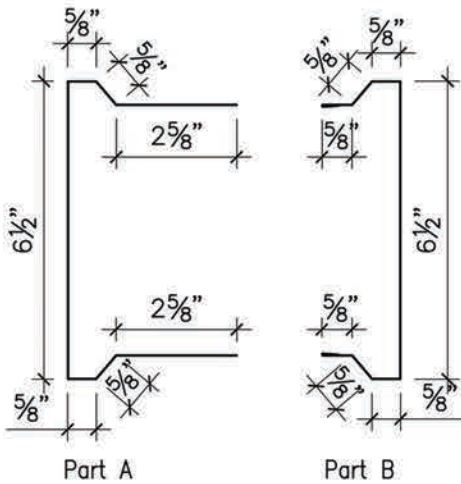


STANDARD LENGTH 10'-2" , 12'-2" , 14'-2" , 16'-2"

REFER TO PAGE 34 FOR INSTALLATION

**CC6**

Column Cover 6"

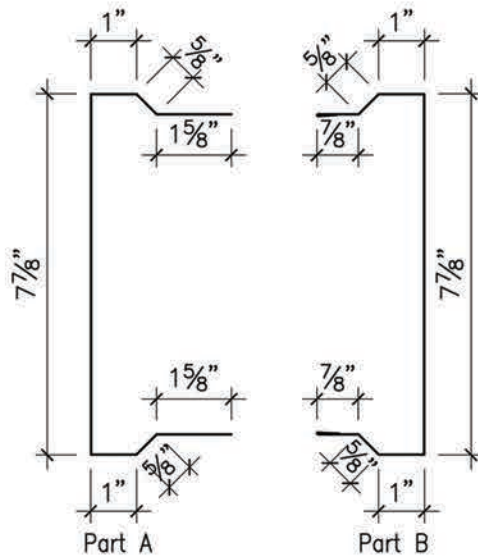


STANDARD LENGTH 10'-2", 12'-2", 14'-2", 16'-2"

REFER TO PAGE 36 FOR INSTALLATION

**CC8**

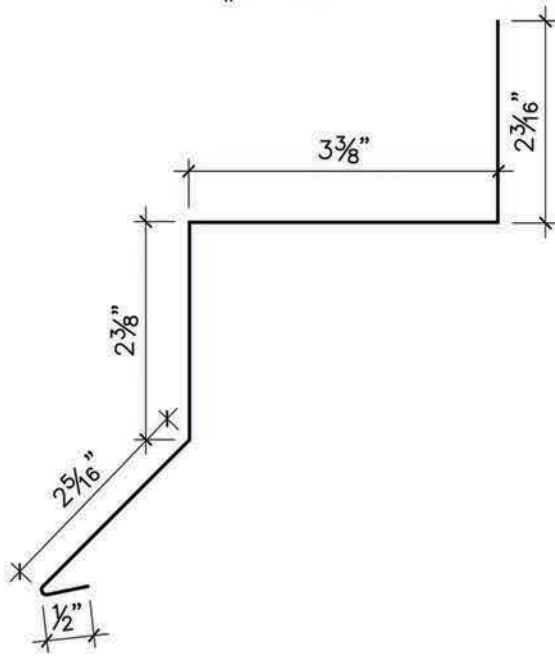
Column Cover 8"



STANDARD LENGTH 10'-2", 12'-2", 14'-2", 16'-2"

REFER TO PAGE 37 FOR INSTALLATION

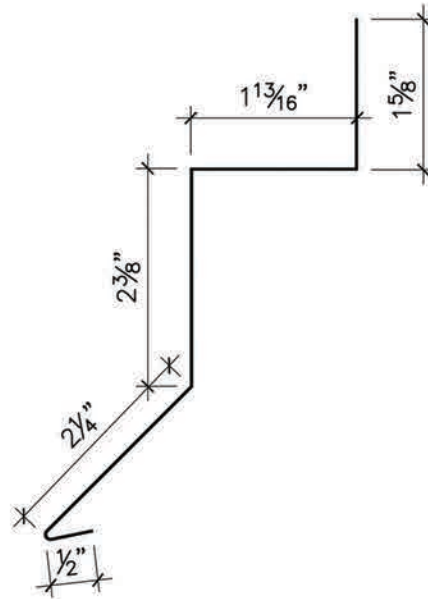
**TCND**  
National Track Cover  
# 5120



STANDARD LENGTH 10'-2"

REFER TO PAGE 36 FOR INSTALLATION

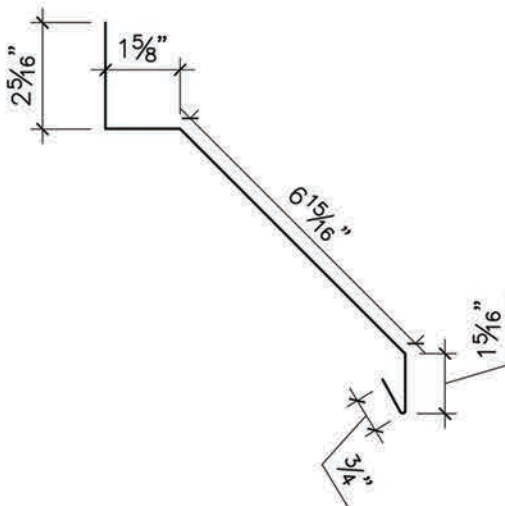
**TCNS**  
National Track Cover  
# 5122



STANDARD LENGTH 10'-2"

REFER TO PAGE 36 FOR INSTALLATION

**TCC**  
Cannonball Track  
Cover # 646225



STANDARD LENGTH 10'-2"

REFER TO PAGE 36 FOR INSTALLATION

Custom Trims Are  
Available Upon Request.  
Call For Pricing.

**Flat Sheet**

Full Width x 10'2"



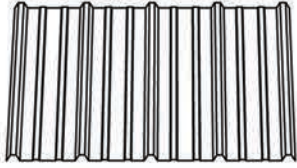
**Coil Stock**

20" x 21'-0"



**POLYCARBONATE PANELS**

Weatheredge<sup>3</sup> — Clear / White



**CLEAR PANELS**

AVAILABLE IN — 8', 10', 12'

**WHITE PANELS**

AVAILABLE IN — 3', 8', 10', 12'



**ROOF BOOTS**

250' Low Temp Sizes  
(Color Gray)

#3 (1/4" to 4")

#6 (3" to 6")

#8 (5" to 8")

450' High Temp Sizes  
(Color Red)

#3 (1/4" to 5")

#5 (4 1/4" to 7 1/4")

#9 (9" to 19")

250' Retrofit Sizes  
(Color Gray)

#1 (1/4" to 4")

REFER TO PAGE 37 FOR INSTALLATION

**VENTED RIDGE PRODUCTS**



RCV TRIM Ridge  
Cap w/ Univent



VENTED CLOSURE-LP2  
Weatheredge Profile



VistaVent 1"x10'  
Non-profile specific roll  
w/ adhesive Backer

**NON-VENTED CLOSURES**

Weatheredge<sup>3</sup> Profile



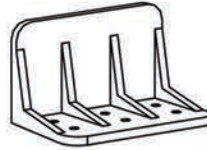
3' Inside Closure — w/ adhesive



3' Outside Closure — w/ adhesive

REFER TO PAGE 22 FOR INSTALLATION

**Polar Blox**



FOR COMPLETE INSTALLATION  
INSTRUCTIONS PLEASE VISIT  
[WWW.POLARBLOX.COM](http://WWW.POLARBLOX.COM)

REFER TO PAGE 29 FOR INSTALLATION

**FASTENERS (100 / 250 Ct. bags)**

#10 Hi-Lo Self Start Metal to Wood Screw



#12 Hi-Lo Self Start Metal to Wood Screw



#12 3/4" Stitch Or Lap Screw



REFER TO PAGE 2 FOR INSTALLATION

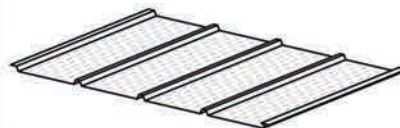
**SEALANT TAPES**



MASTIC TAPE-1 1"X1/8"X40' Butyl Tape  
MASTIC TAPE-2 3/8"x3/32"x45' Sidelap Butyl Tape

AST Expanding Foam Tape  
1" X 1" X 19'-6"

**ALUMINUM SOFFIT**



Pre-Cut Sizes  
16" x 11 3/4"  
16" x 17 3/4"  
16" x 23 3/4"  
Full Panels  
16" x 12'0"

Fully Vented, or Solid  
Available in all Weatheredge<sup>3</sup> Colors

**THIS PAGE INTENTIONALLY LEFT BLANK**





## FIGHT CONDENSATION WITHOUT INSULATION

### Controlling Condensation

When the temperature and humidity conditions reach the dew point, moisture condenses on the underside of an uninsulated metal roof. Drops of water will then form and start to fall, causing damage to the contents below. The traditional method for dealing with condensation is to try and insulate the roof so that the temperature on the panel never reaches the dew point.

The roof panel with **DRIPSTOP™** anti-condensation felt provides a medium for trapping this moisture in the specially designed pockets formed in the membrane. **DRIPSTOP™** holds that moisture until conditions go back below the dew point and it is released back into the air in the form of normal humidity.

### **Ideal for use in uninsulated buildings such as:**

- **Cold Storage**
- **Livestock confinement**
- **Post frame buildings**
- **Self-storage**
- **Open walled structures**
- **Carports & RV Storage**
- **Workshop, detached garages & More!**

## ***Why Add DRIPSTOP™ Condensation Control?***

### Durable & Easy to Maintain!

- ✓ **Easy to clean** - a hose or pressure washer can be used to clean if needed
- ✓ **Durable** - won't rip or tear, is mold & mildew resistant, and stops bird nesting troubles

**DRIPSTOP** also **reduces rain noise** and, as tests have shown, **adds another layer of protection** specifically from the corrosive elements in livestock confinements!

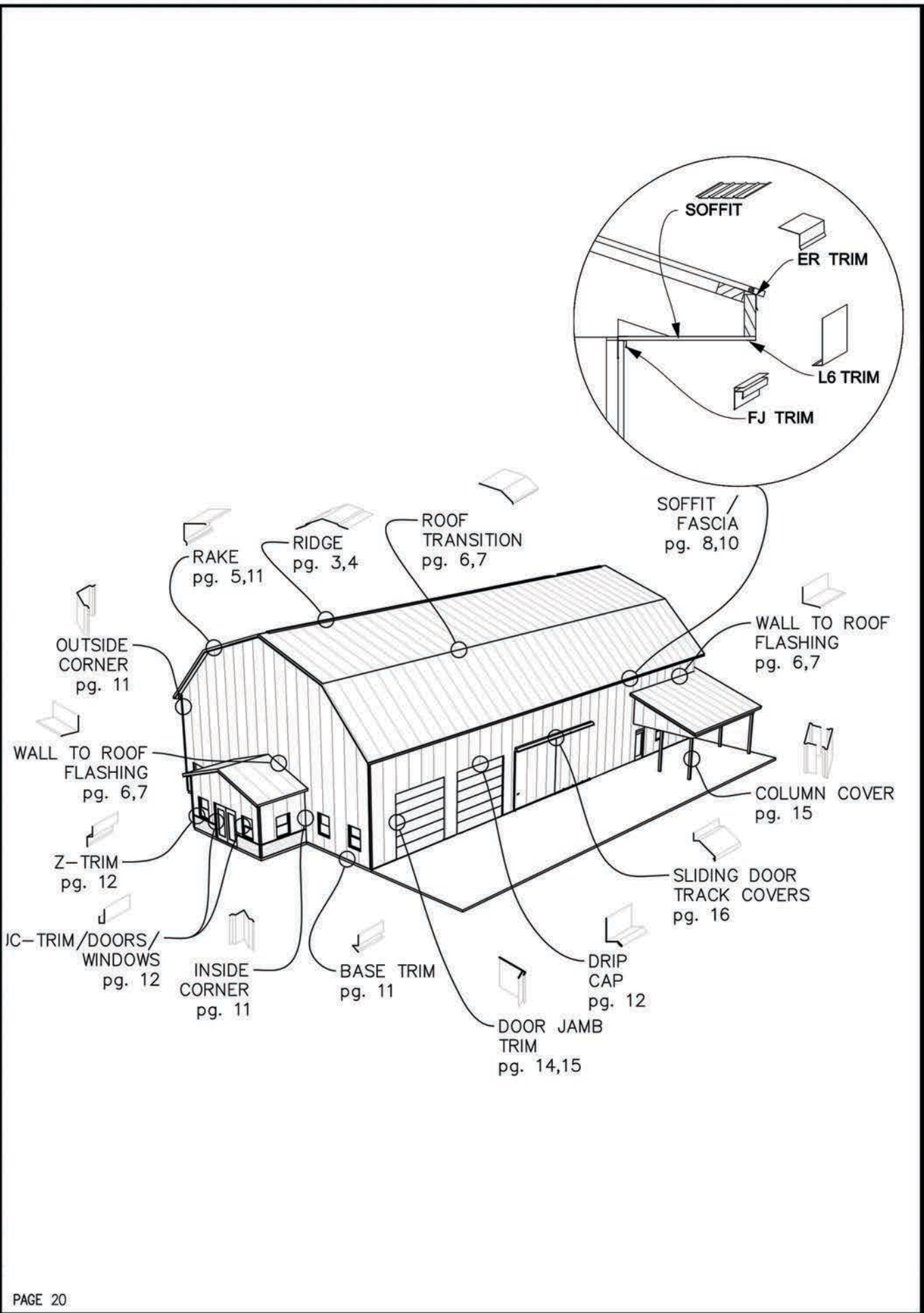
### Saves Time & Money!

- ✓ **Saves Money** - no additional labor costs for installing insulation
- ✓ **Factory-applied coating** - it arrives at the jobsite already on the steel
- ✓ **Saves Time** - completely cuts out one step of the building process, and up to half the time on the roof



Phone: (315) 902-4229

Ask about  
adding  
**DRIPSTOP™**  
to your  
next order!



# INSTALLATION

## ❖ ROOF TRIM

- Eave ..... Page 29 - 31
- Fascia ..... Page 29 - 31
- Ridge ..... Page 22 - 23
- Rake/Gable ..... Page 25-26
- Snow Bar ..... Page 28
- Transition ..... Page 24
- Valley ..... Page 28
- Wall to Roof ..... Page 27

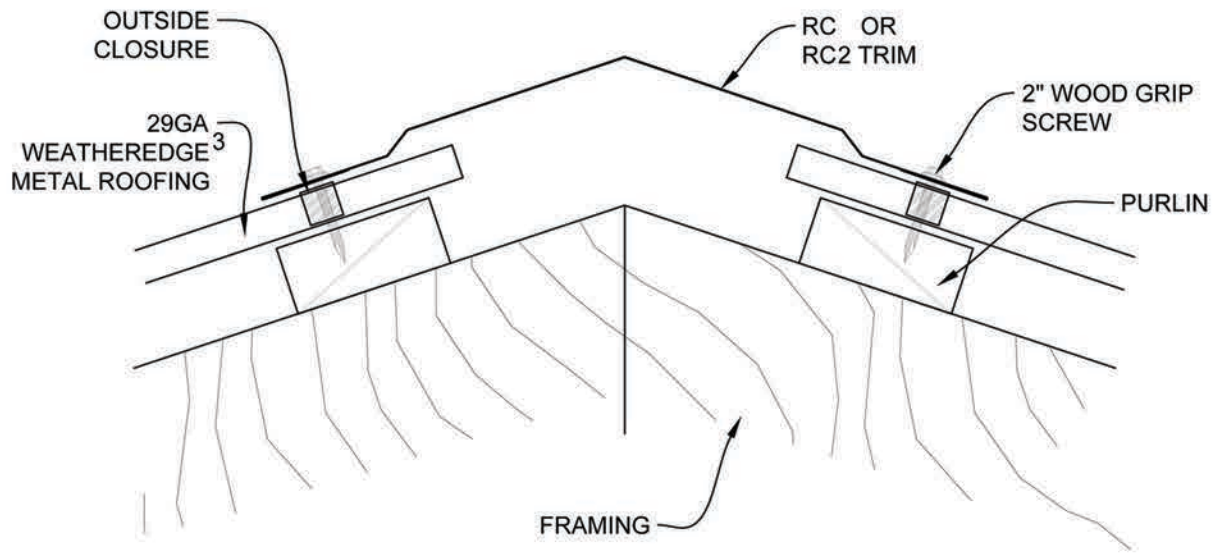
## ❖ WALL TRIM

- Base ..... Page 31
- Corner ..... Page 32
- F Trim ..... Page 30
- Liner Trim ..... Page 33

## ❖ FINISHING TRIM

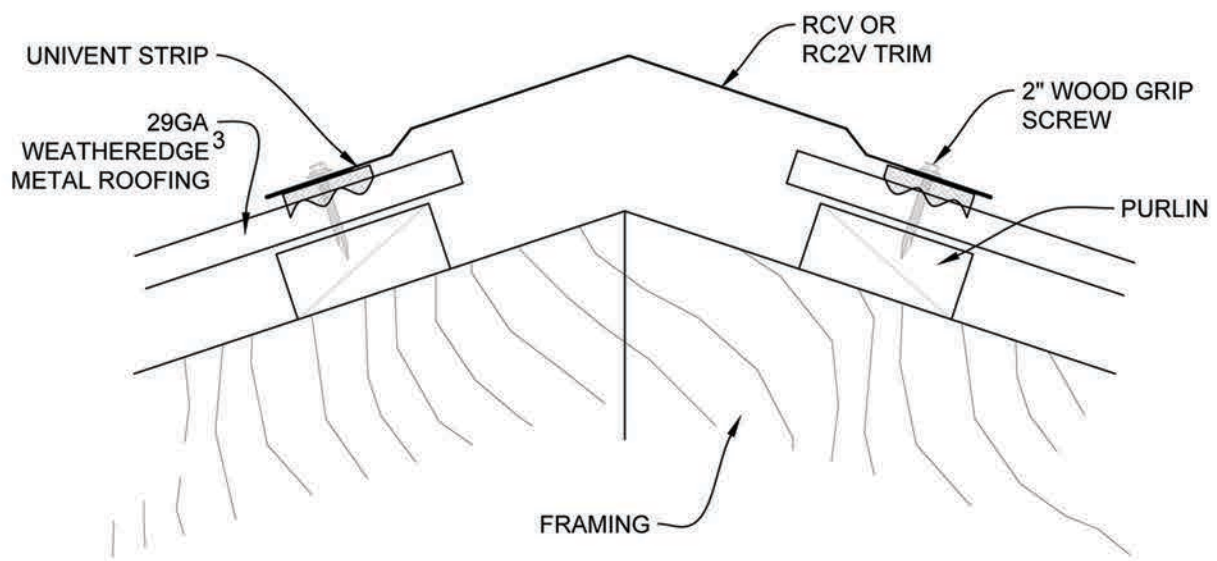
- Angle Trim ..... Page 34
- Column Cover ..... Page 36 - 37
- Drip Cap ..... Page 33
- J Channel ..... Page 34
- Overhead Door ..... Page 34 - 35
- Track Cover ..... Page 36





REFER TO PAGE 3 IN TRIM BOOK

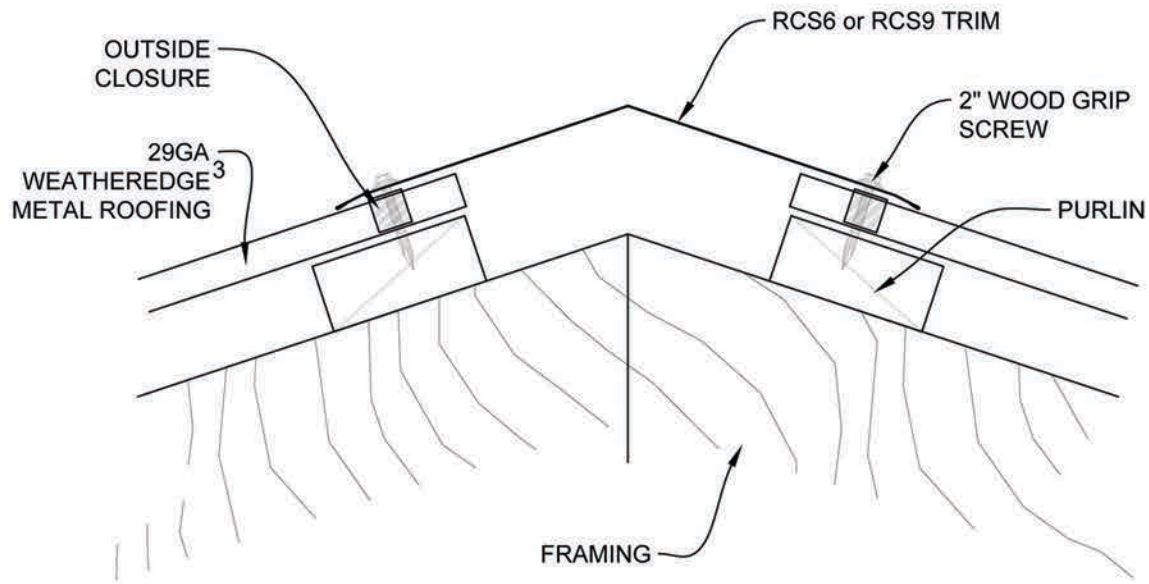
## NON-VENTED RIDGE



REFER TO PAGE 3 IN TRIM BOOK

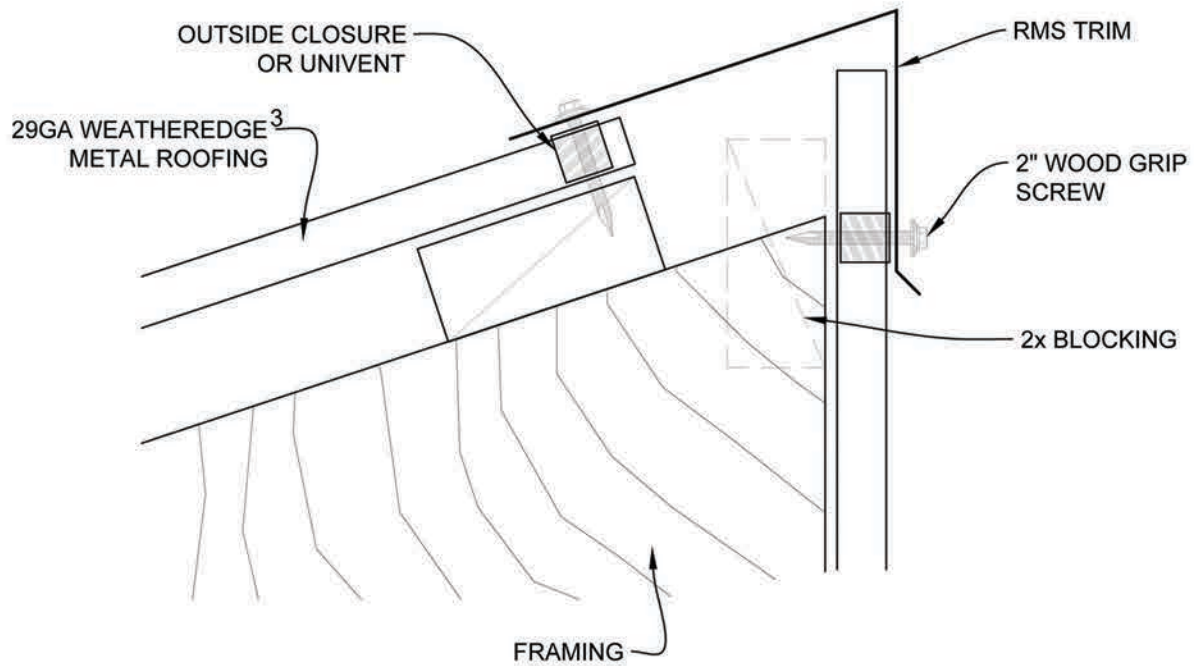
## VENTED RIDGE





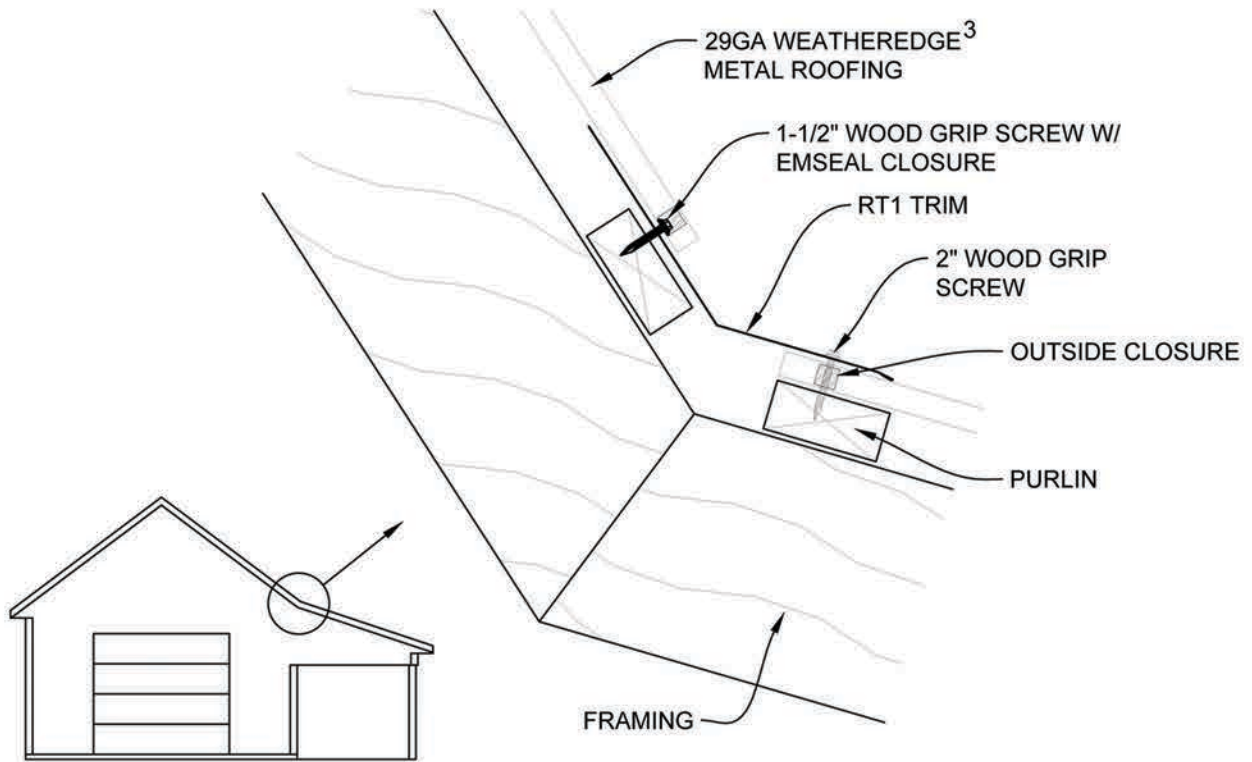
REFER TO PAGE 4 IN TRIM BOOK

## NON-VENTED RIDGE



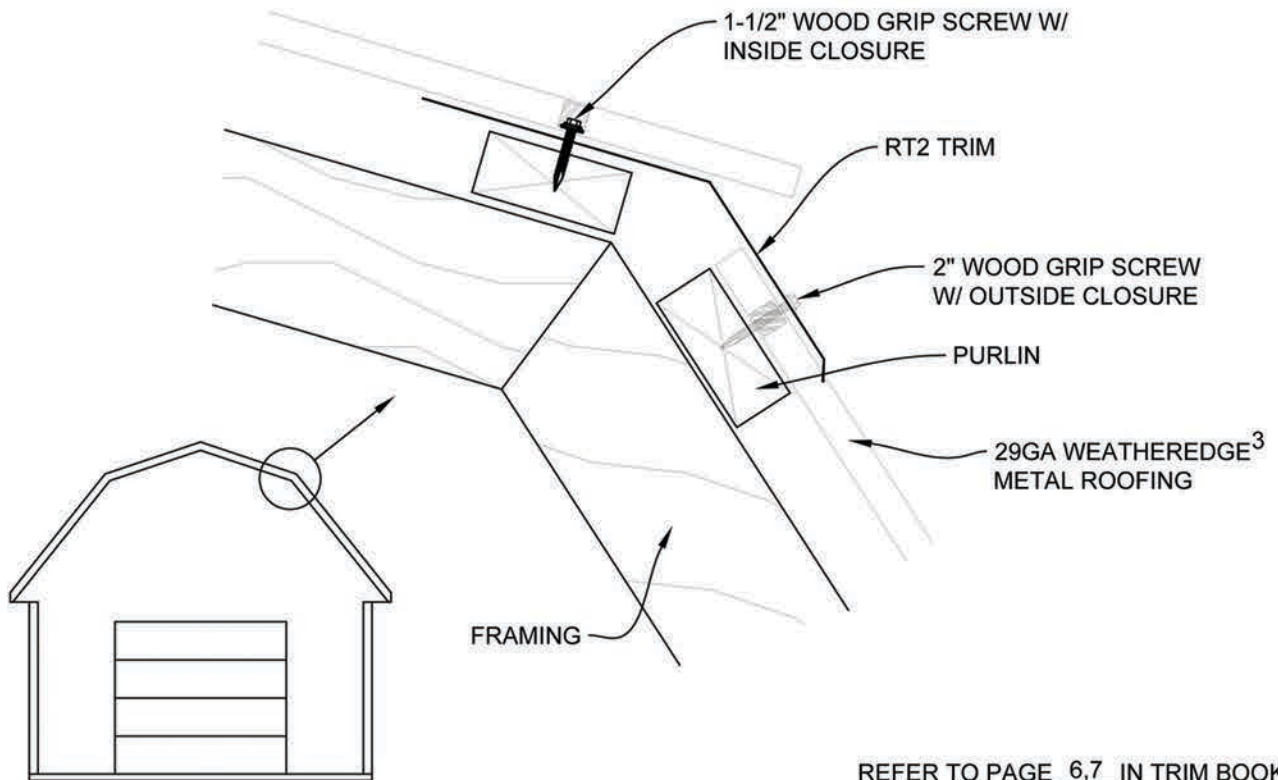
REFER TO PAGE 4 IN TRIM BOOK

## MONO SLOPE RIDGE



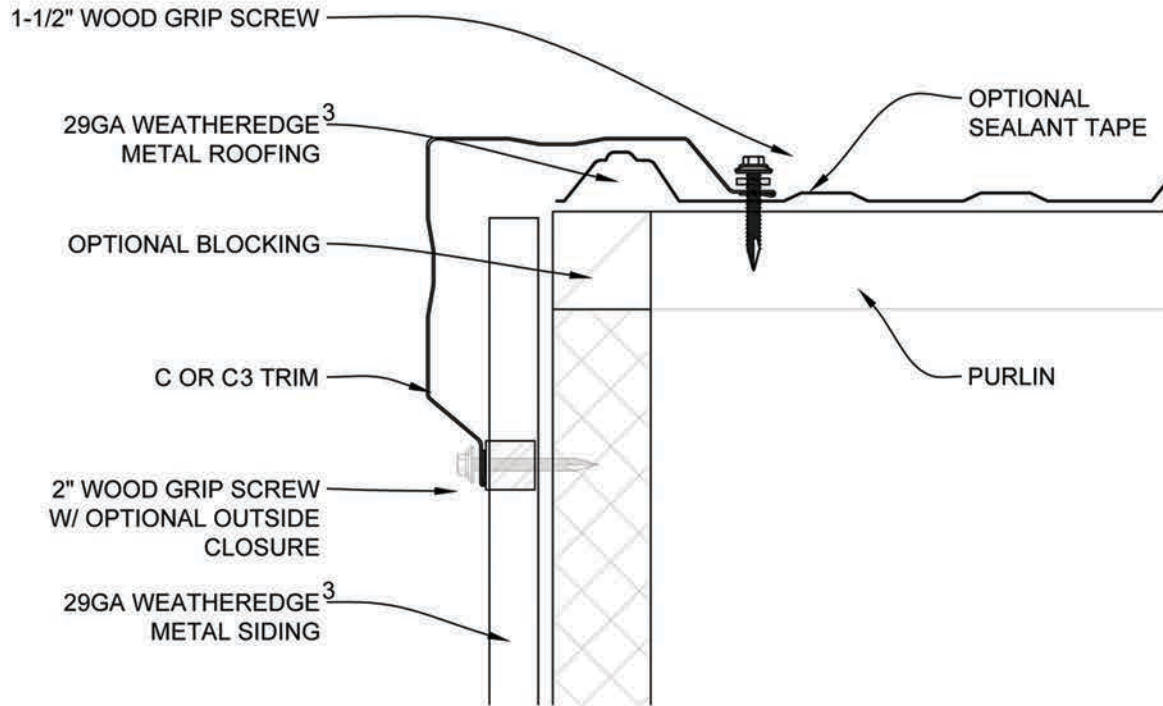
REFER TO PAGE 6,7 IN TRIM BOOK

## INSIDE TRANSITION



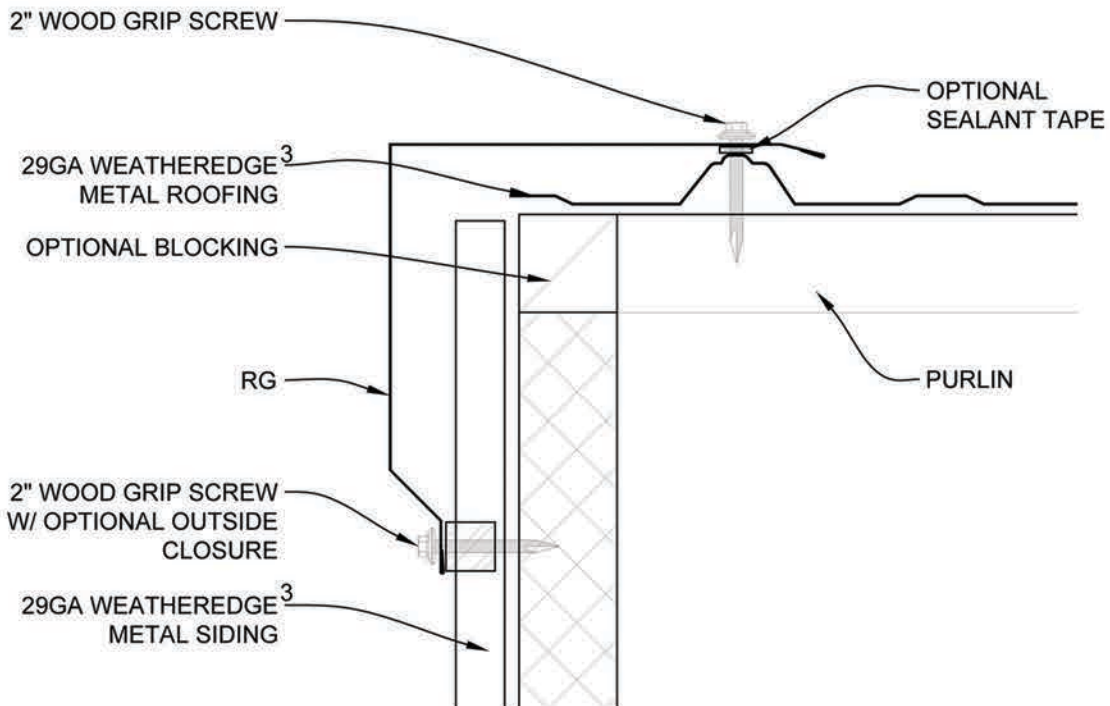
REFER TO PAGE 6,7 IN TRIM BOOK

## OUTSIDE TRANSITION



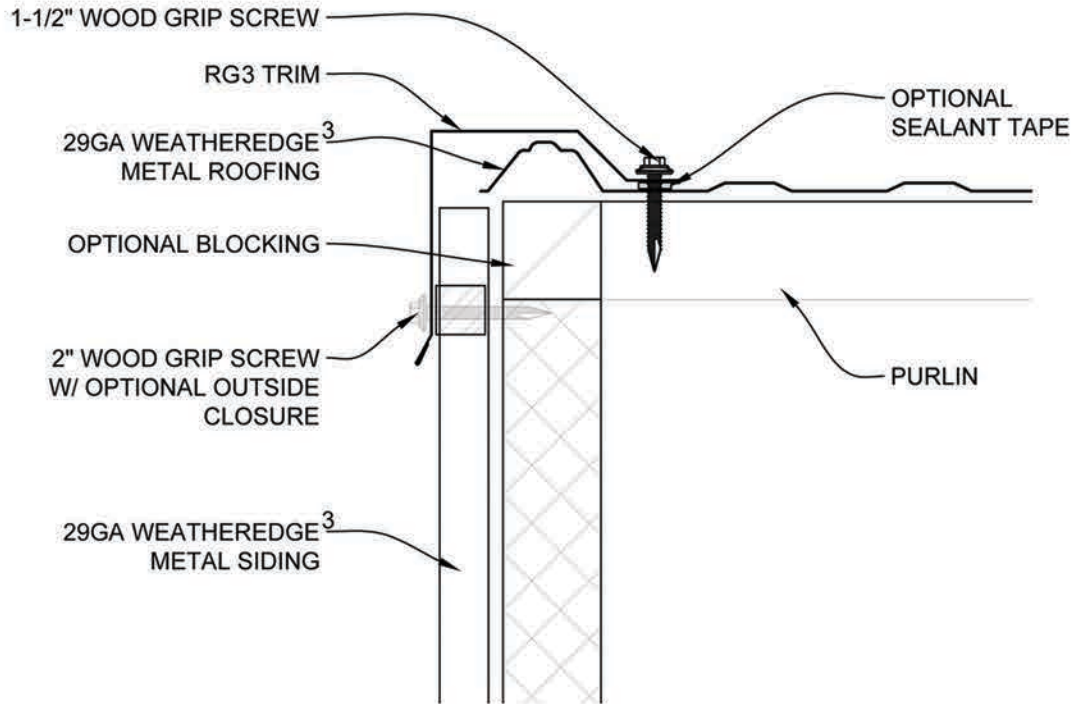
REFER TO PAGE 11 IN TRIM BOOK

## RAKE / GABLE TRIM



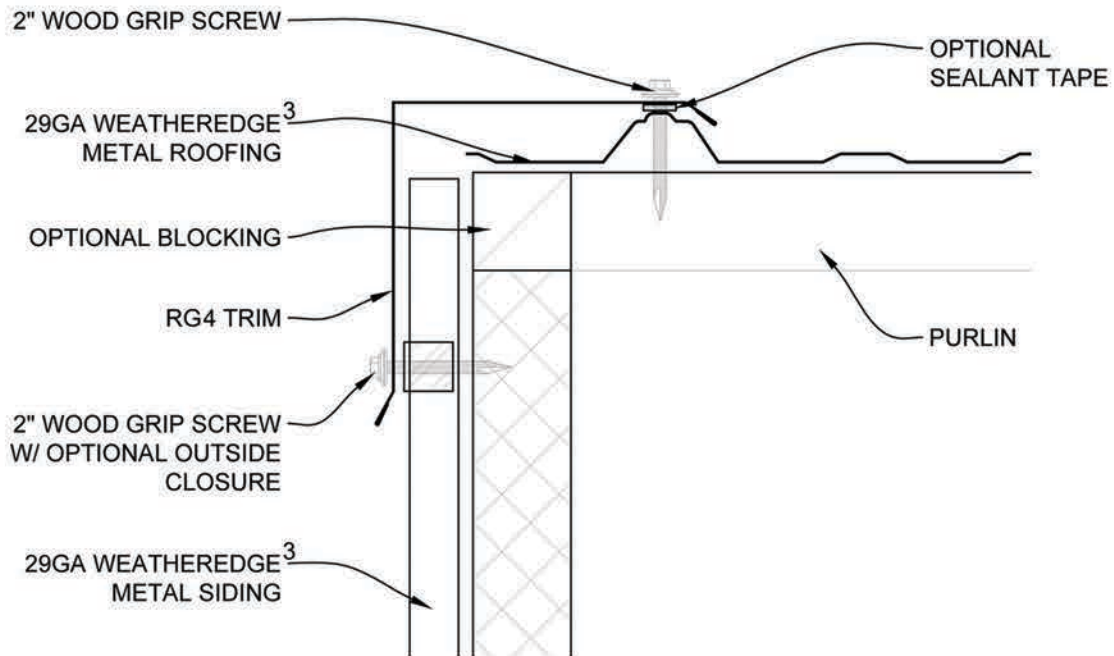
REFER TO PAGE 5 IN TRIM BOOK

## RAKE / GABLE TRIM



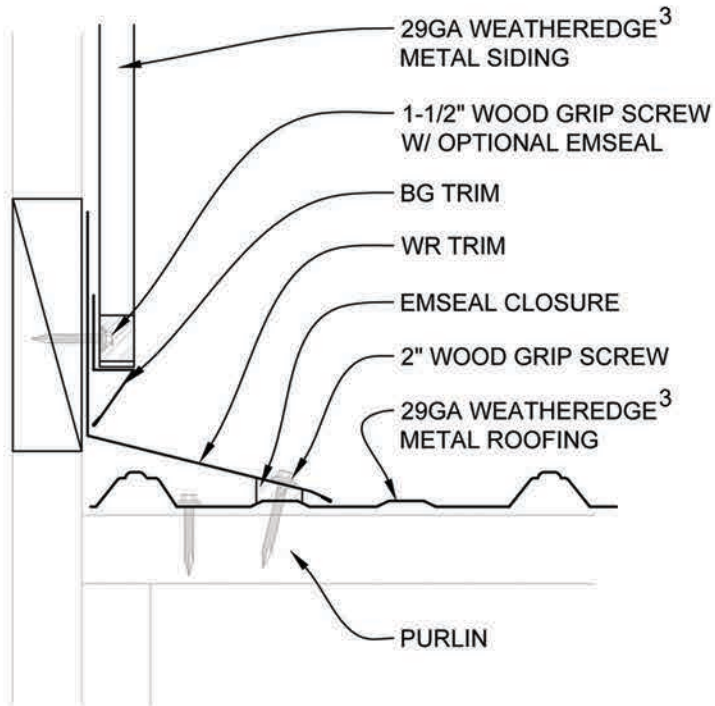
REFER TO PAGE 5 IN TRIM BOOK

## RESIDENTIAL RAKE / GABLE TRIM



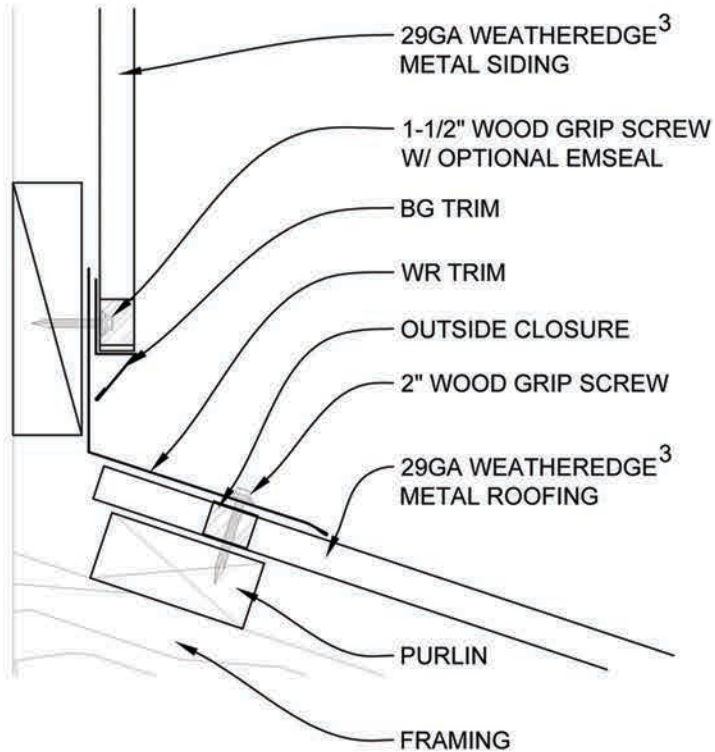
REFER TO PAGE 5 IN TRIM BOOK





REFER TO PAGE 6,7 IN TRIM BOOK

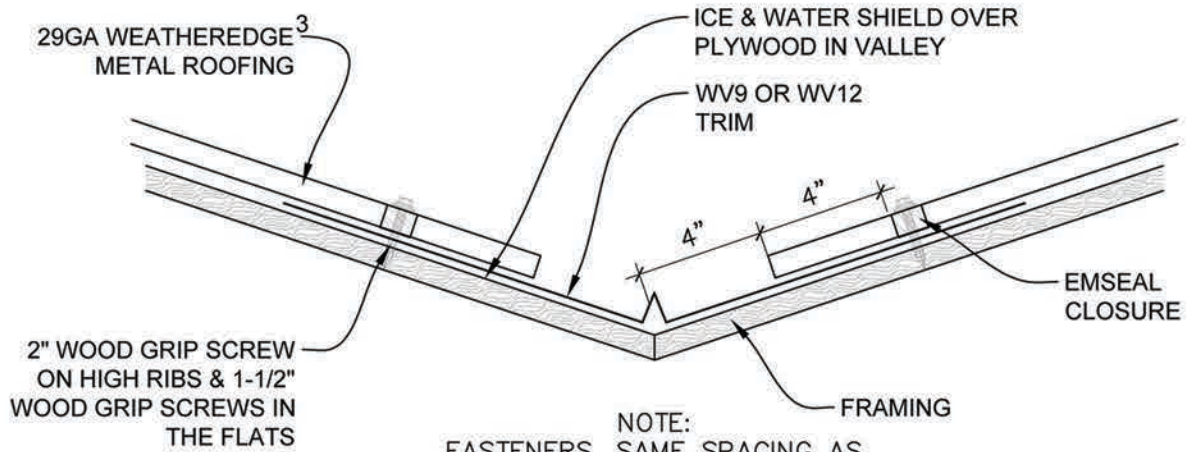
## WALL TO ROOF FLASHING



REFER TO PAGE 6,7 IN TRIM BOOK

## WALL TO ROOF FLASHING

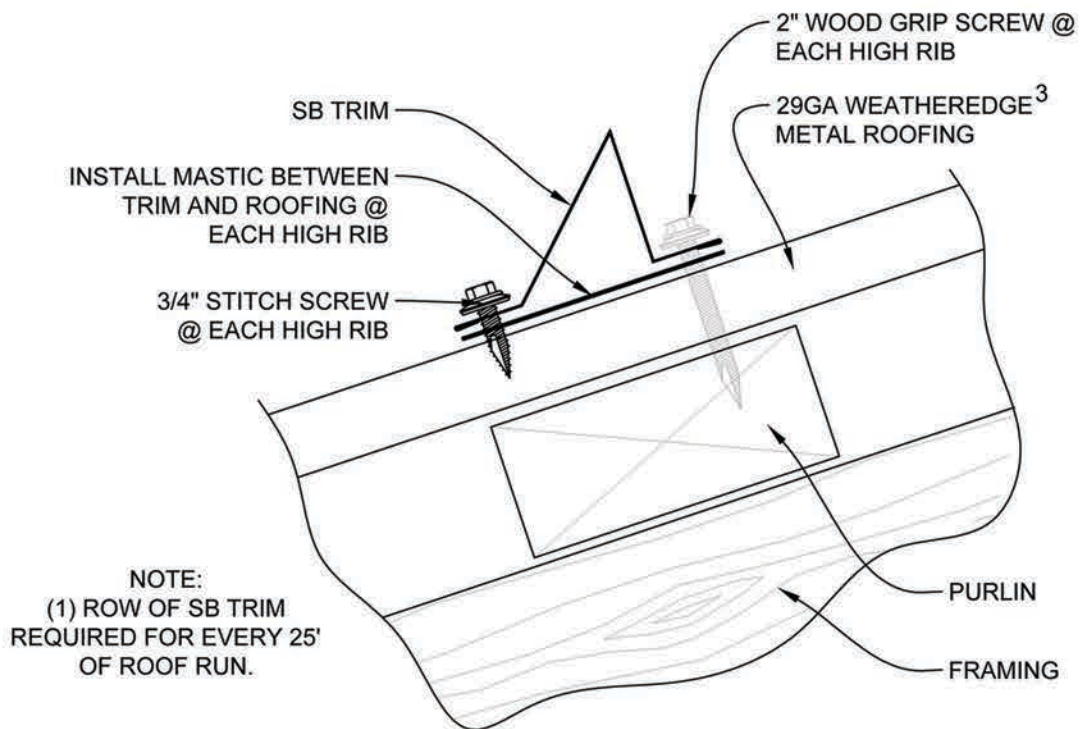




NOTE:  
FASTENERS, SAME SPACING AS  
ENDLAPS. SCREW FASTENER  
SPACING SHOULD NOT EXCEED  
6" BETWEEN FASTENERS

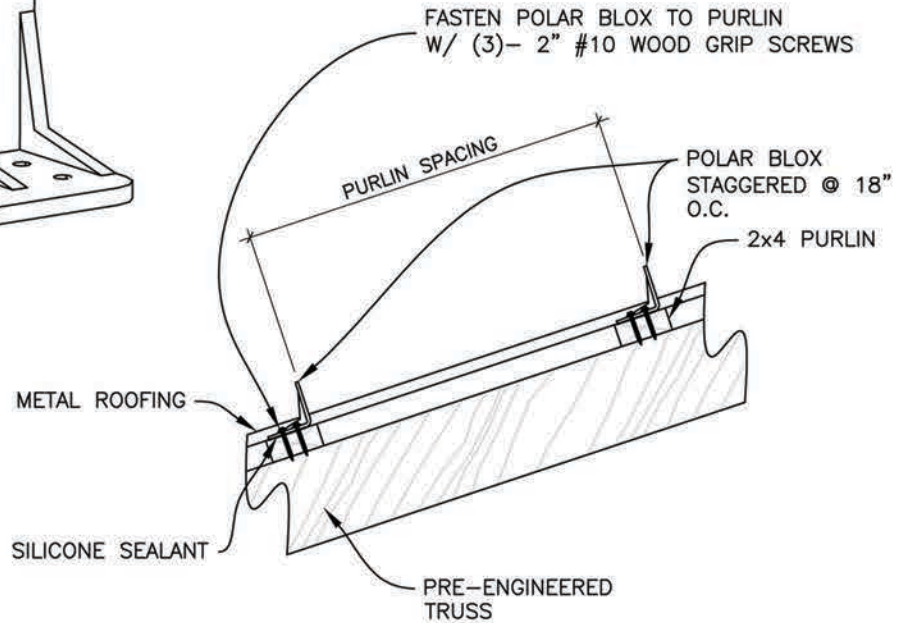
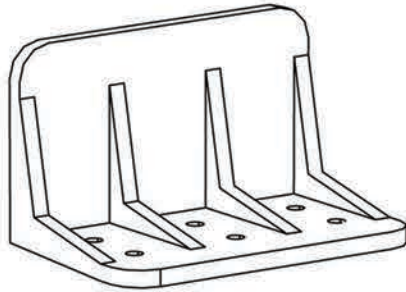
REFER TO PAGE 8 IN TRIM BOOK

## VALLEY TRIM



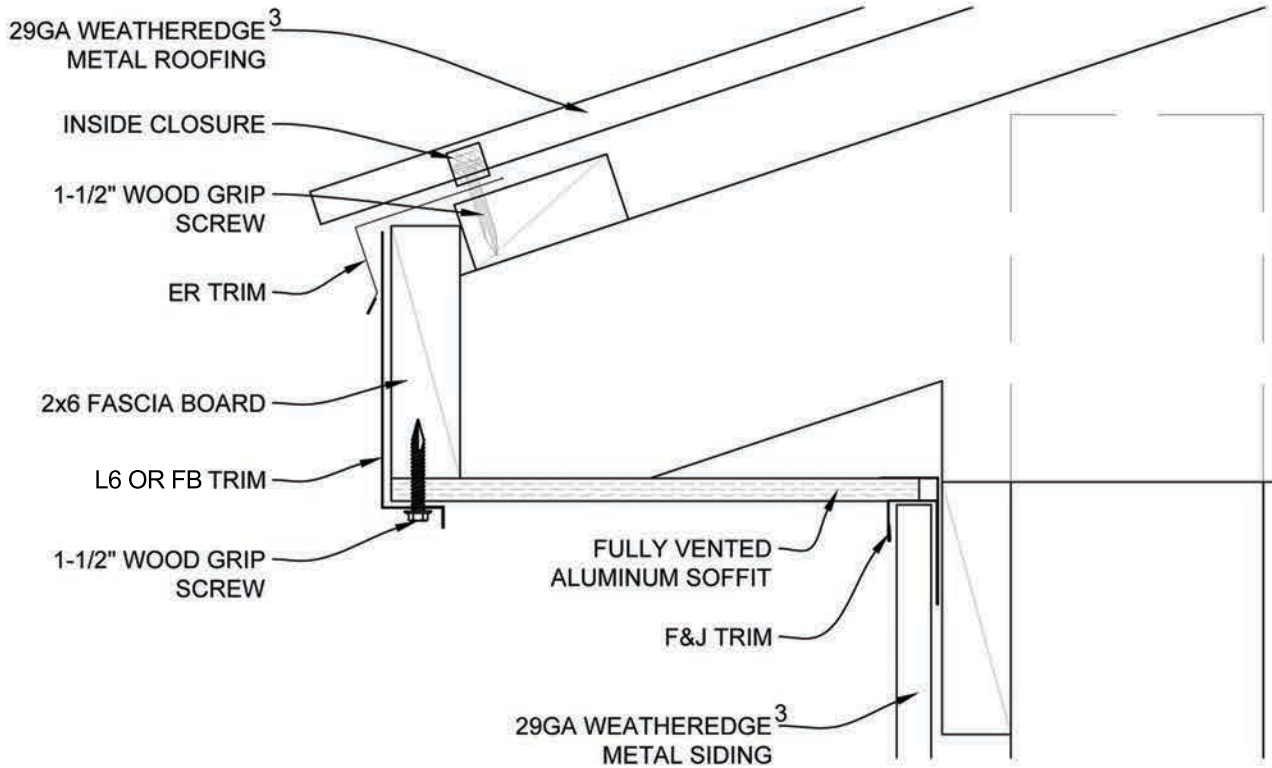
REFER TO PAGE 10 IN TRIM BOOK

## **Polar Blox**



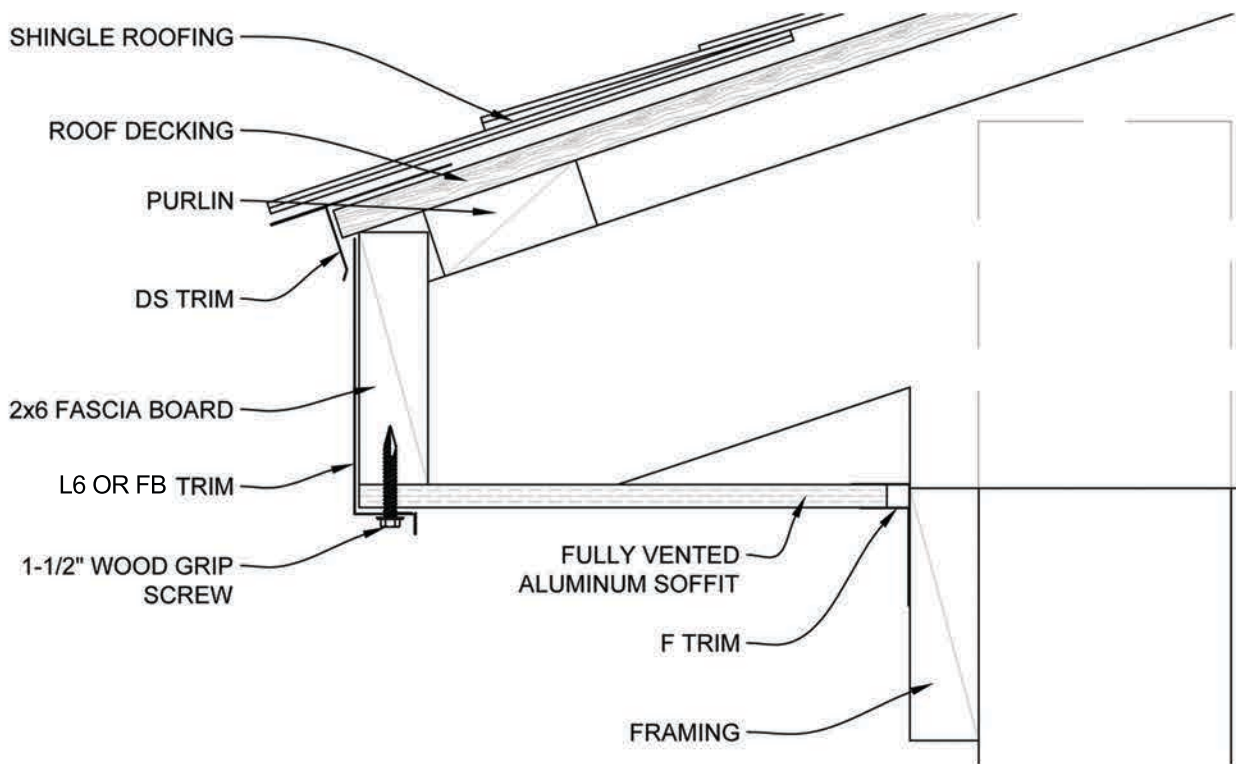
FOR COMPLETE INSTALLATION INSTRUCTIONS PLEASE VISIT [WWW.POLARBLOX.COM](http://WWW.POLARBLOX.COM)

## **POLAR BLOX TRIM**



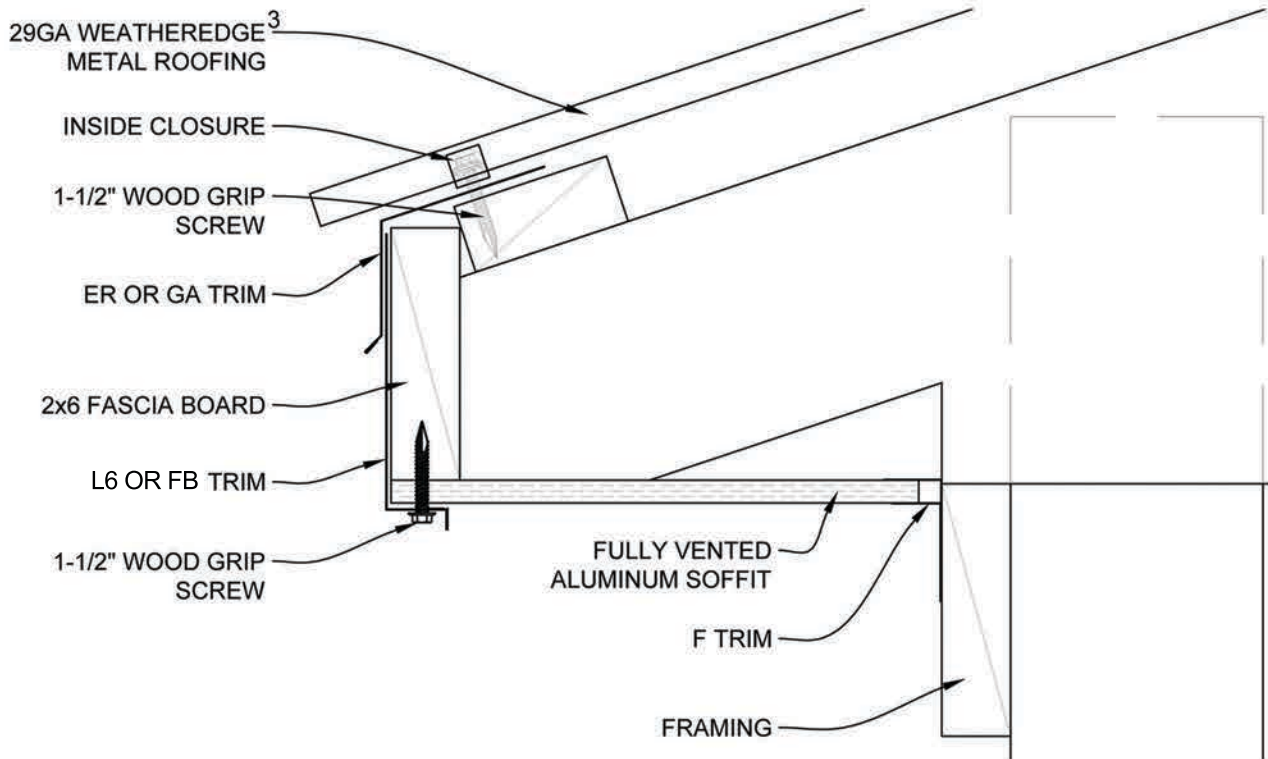
REFER TO PAGE 8,10,17 IN TRIM BOOK

## **EAVE WALL OVERHANG DETAIL**

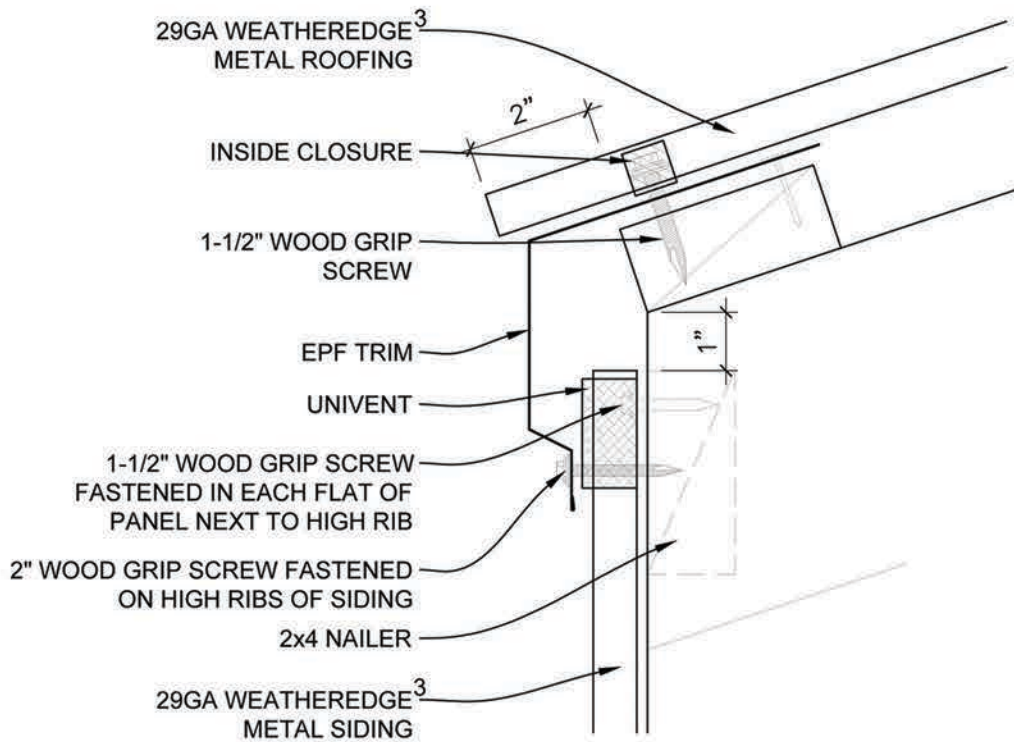


REFER TO PAGE 8,9,10,17 IN TRIM BOOK

## EAVE WALL OVERHANG DETAIL

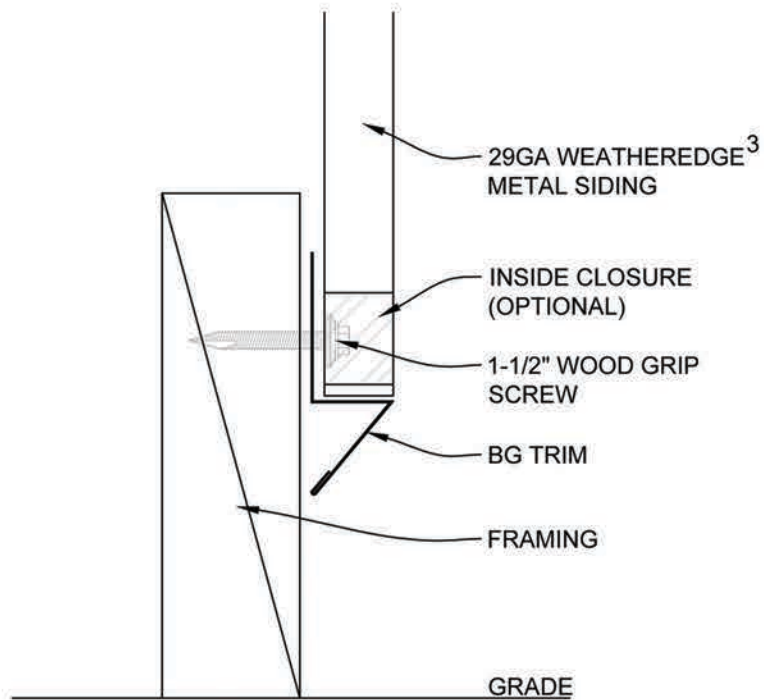


REFER TO PAGE 8,9,10,17 IN TRIM BOOK



REFER TO PAGE 9 IN TRIM BOOK

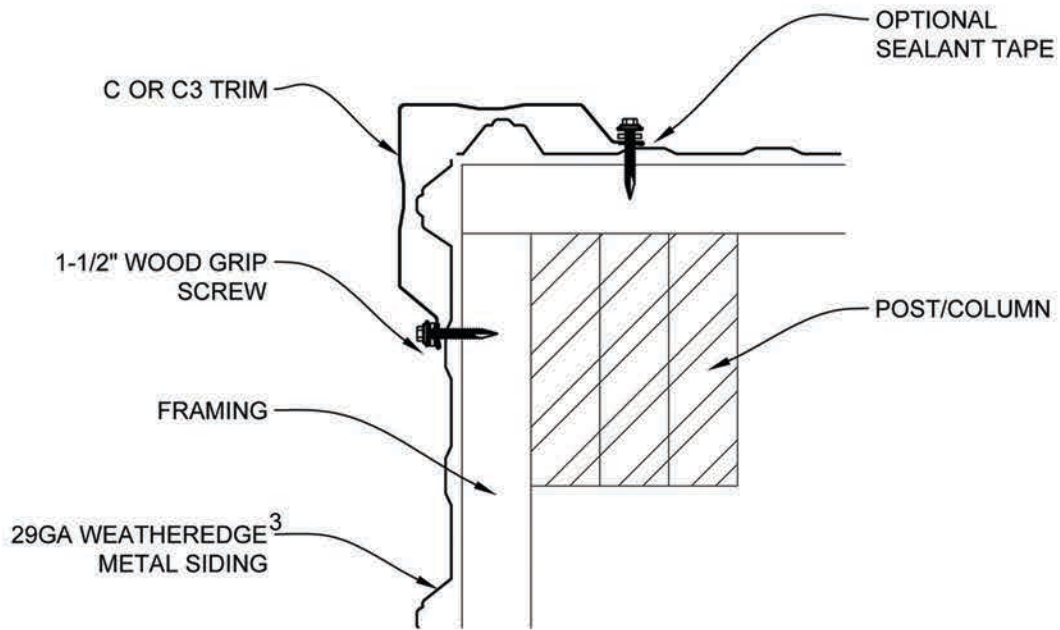
## EAVE TRIM DETAIL



REFER TO PAGE 11 IN TRIM BOOK

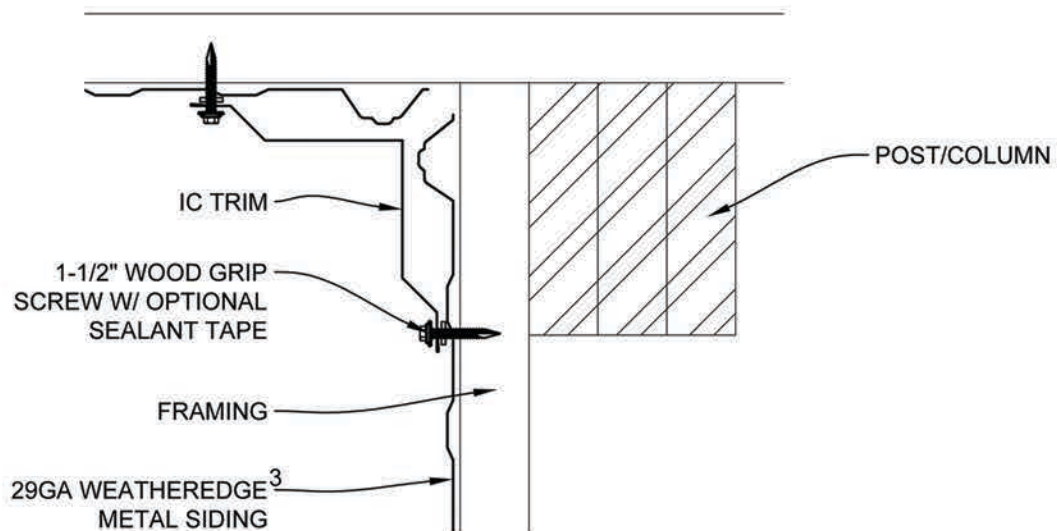
## BASE TRIM DETAIL





REFER TO PAGE 11 IN TRIM BOOK

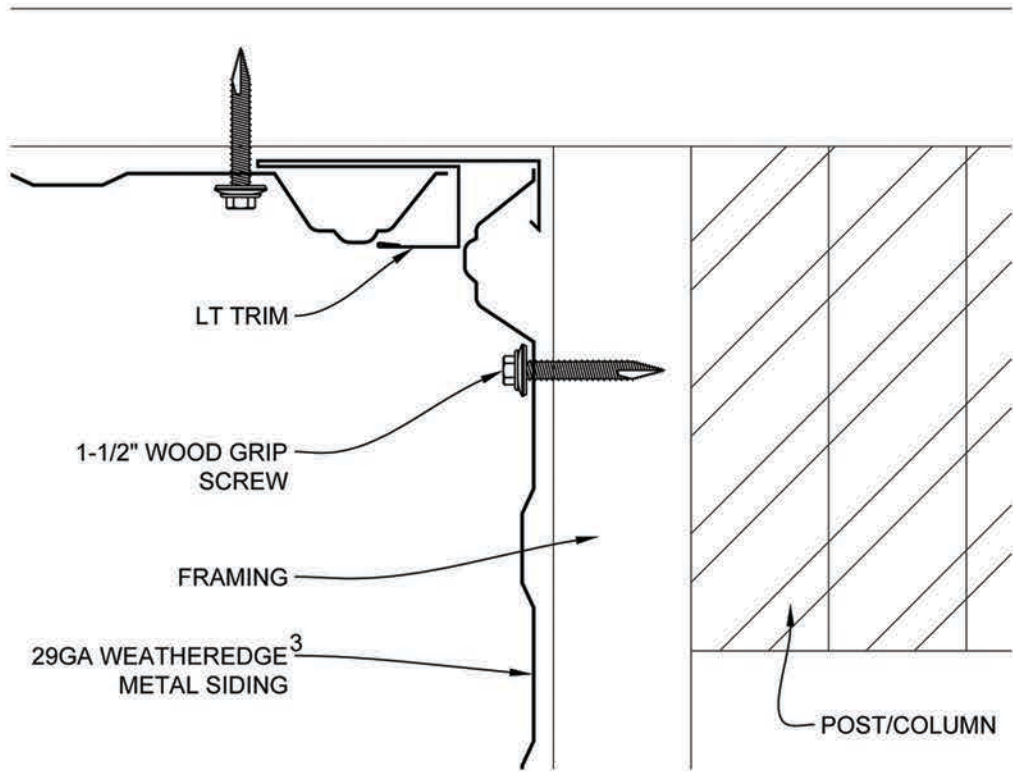
## OUTSIDE CORNER TRIM DETAIL



REFER TO PAGE 11 IN TRIM BOOK

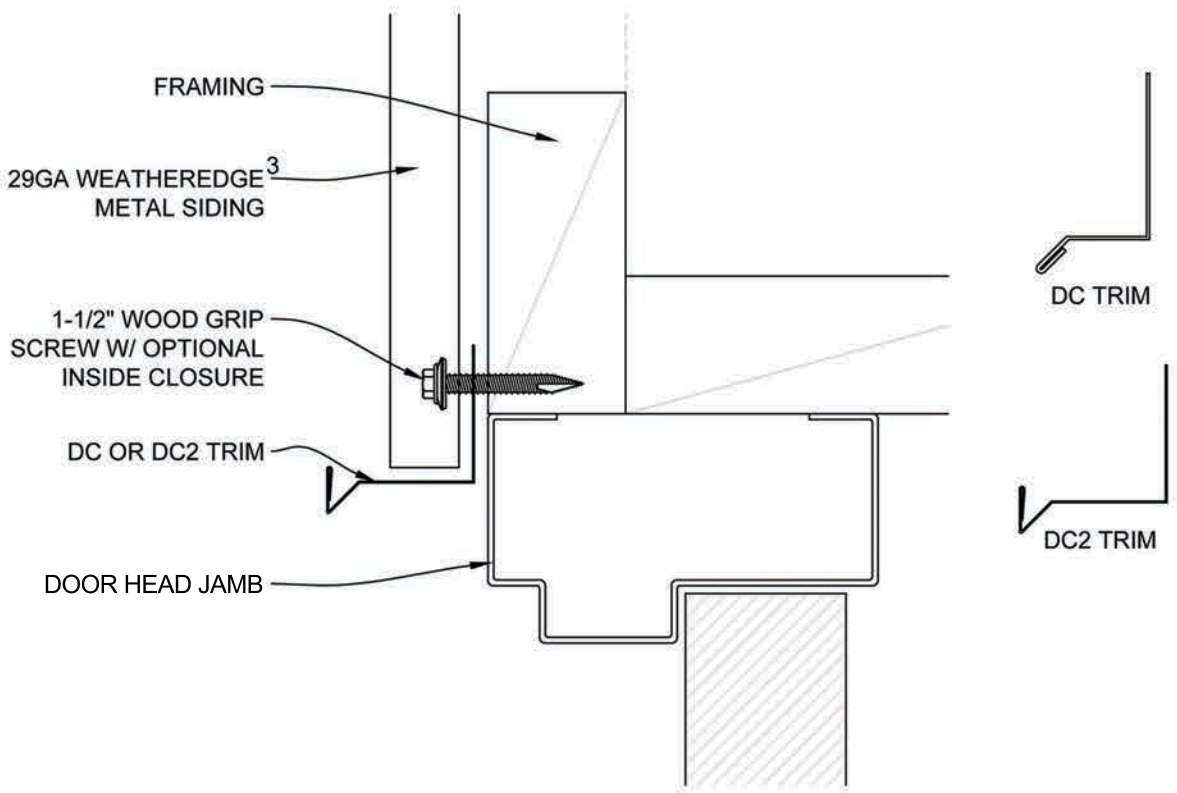
## INSIDE CORNER TRIM DETAIL





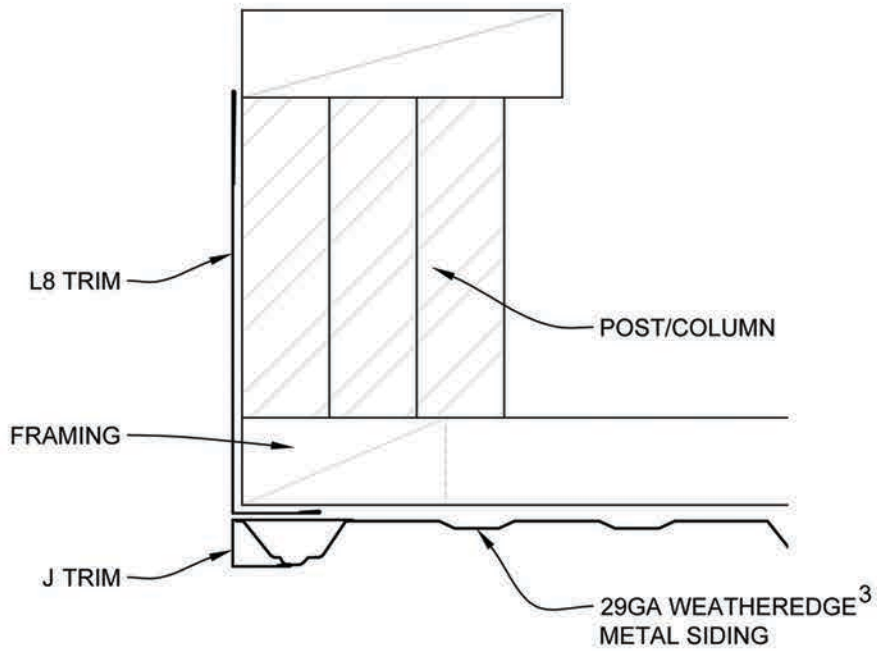
REFER TO PAGE 10 IN TRIM BOOK

### INSIDE CORNER TRIM DETAIL



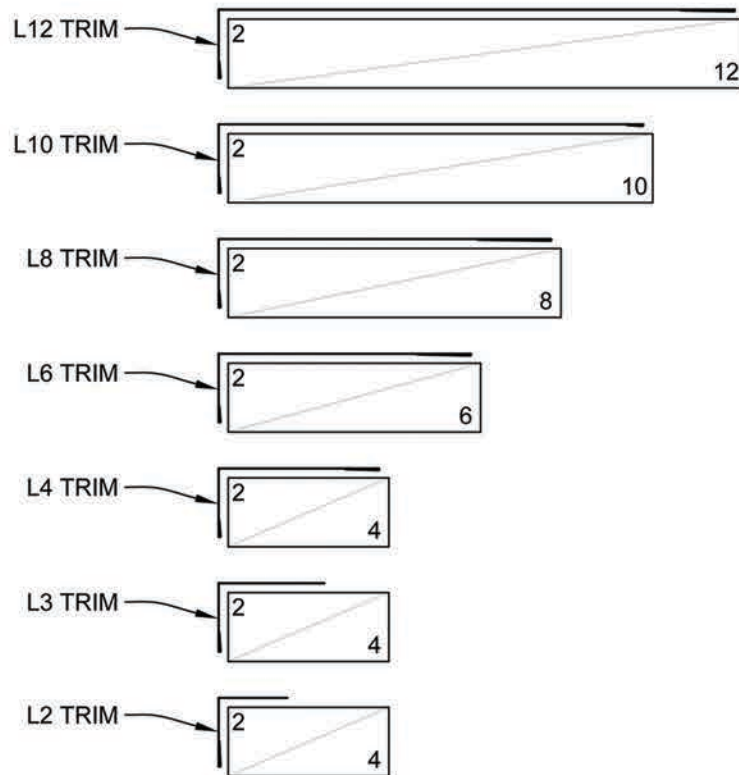
REFER TO PAGE 12 IN TRIM BOOK

### DRIP TRIM DETAIL

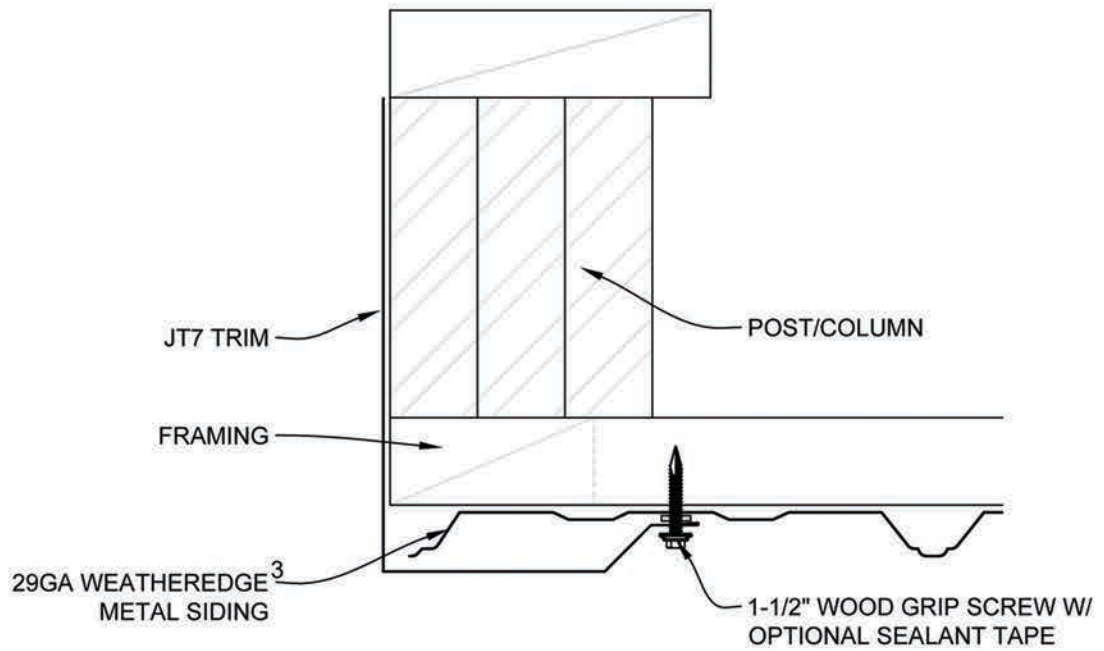


REFER TO PAGE 12-15 IN TRIM BOOK

## OVERHEAD DOOR JAMB DETAIL

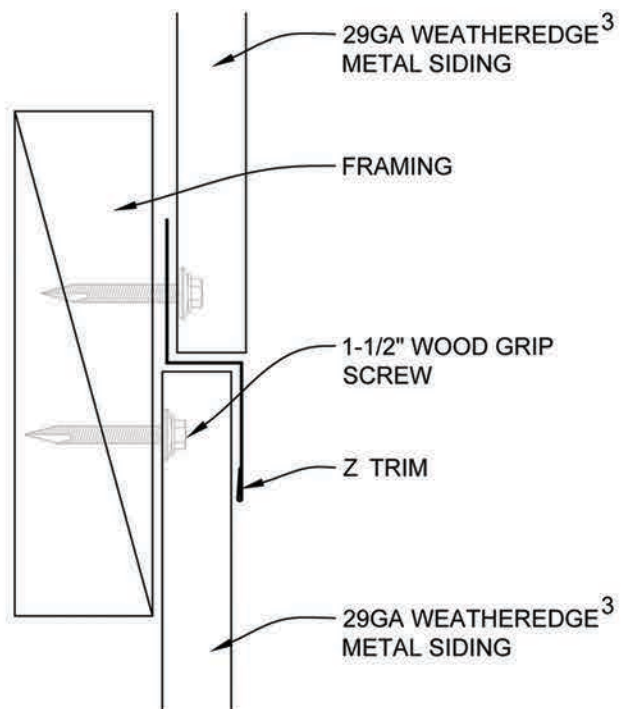


REFER TO PAGE 13,14 IN TRIM BOOK



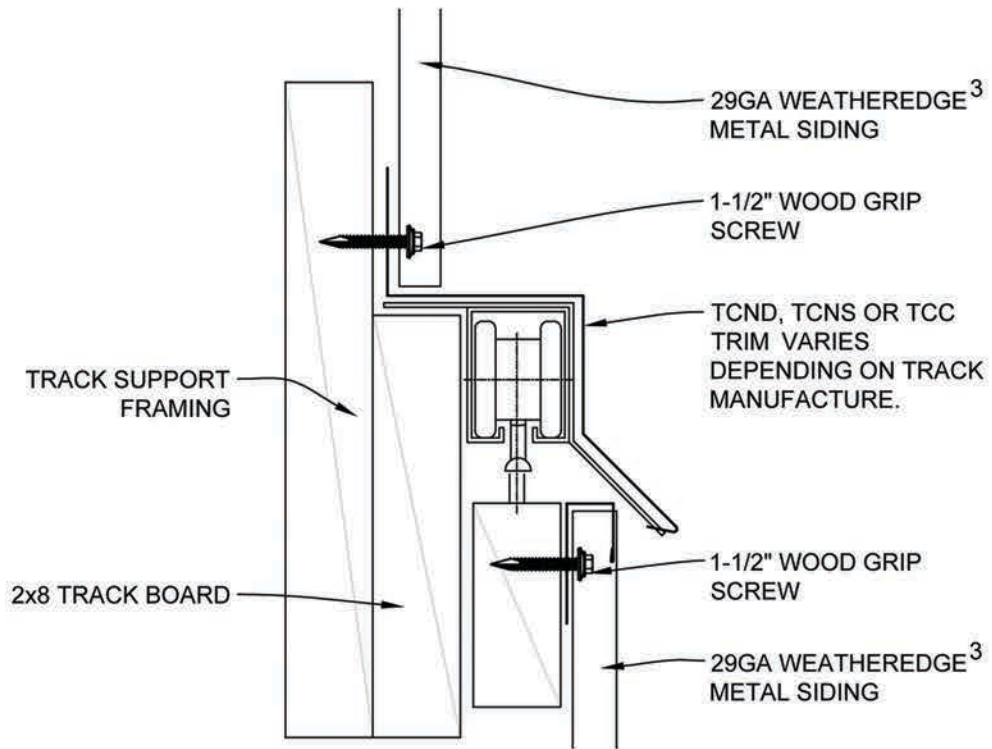
REFER TO PAGE 14 IN TRIM BOOK

## OVERHEAD JAMB TRIM DETAIL



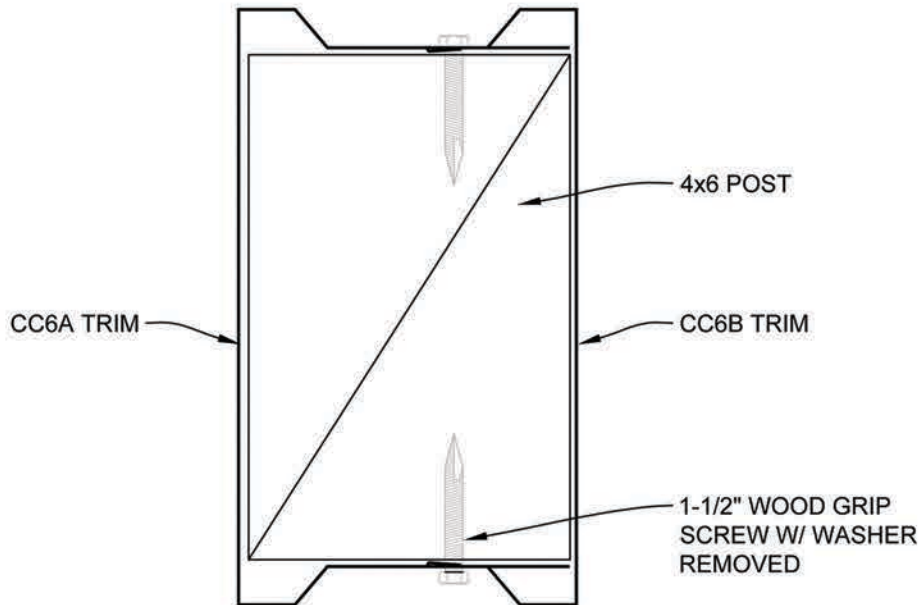
REFER TO PAGE 12 IN TRIM BOOK

## TRANSITION TRIM DETAIL

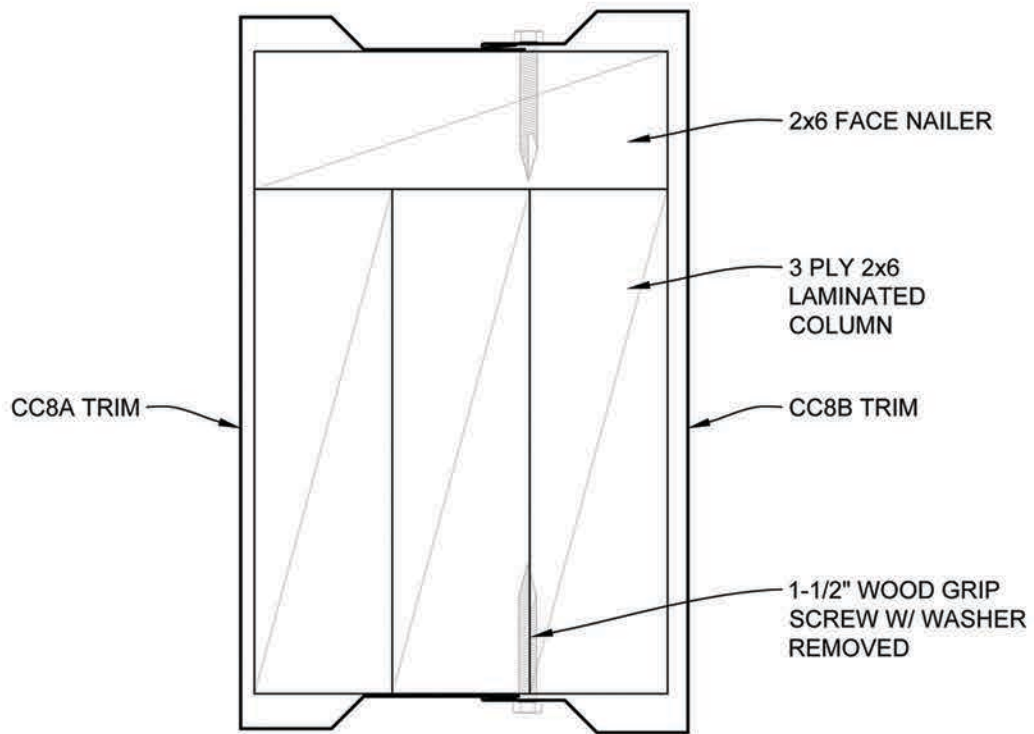


REFER TO PAGE 16 IN TRIM BOOK

## SLIDE DOOR TRIM DETAIL

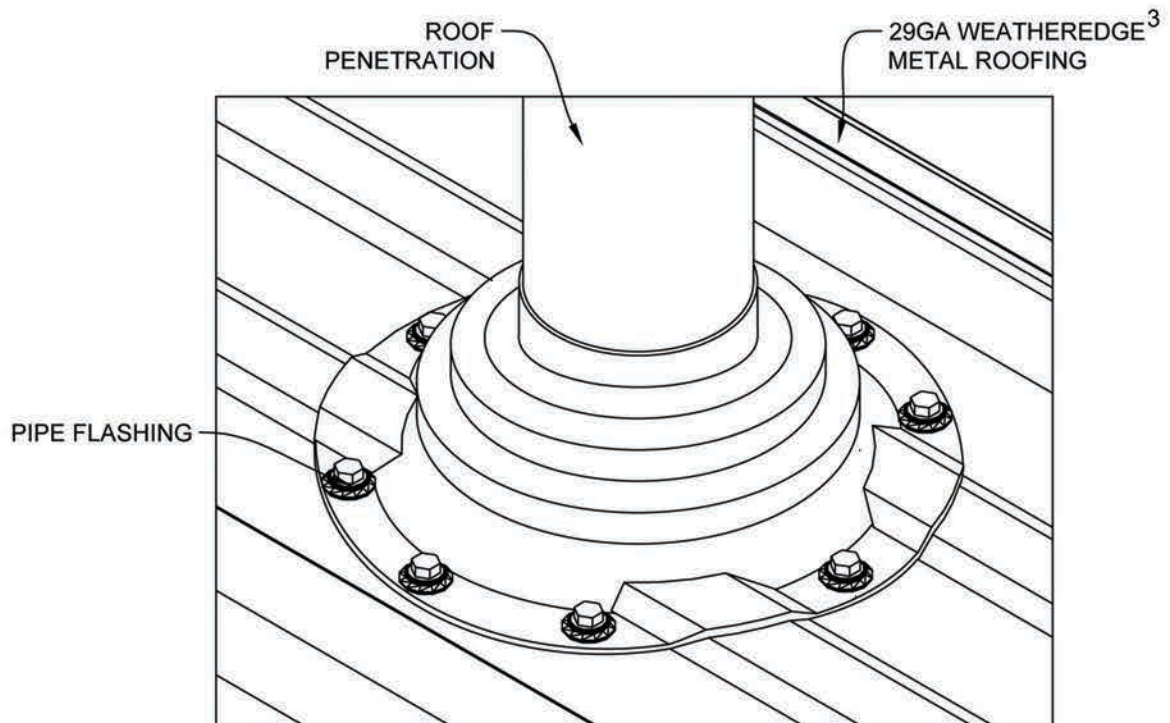


REFER TO PAGE 15 IN TRIM BOOK



REFER TO PAGE 15 IN TRIM BOOK

### 3 PLY 2x6 COLUMN TRIM DETAIL



REFER TO PAGE 17 IN TRIM BOOK

### ROOF BOOT





---

10269 Old Route 31 West • Clyde, New York 14433  
[www.WeatherEdge3.com](http://www.WeatherEdge3.com)

Phone: (315) 902-4229 • Fax: (315) 902-4207